



Defining your space

TECHNICAL SPECIFICATIONS

CONTENTS

| | |
|-------------------------------|----|
| OUR DESIGNERS | 2 |
| CHAIRS | 3 |
| TABLES | 45 |
| TECHNOLOGY & POWER MODULES | 69 |
| ACCESSORIES | 73 |
| FINISHES & LAMINATES | 80 |
| GLOSSARY | 86 |
| GET IN TOUCH | 88 |

OUR DESIGNERS

The Burgess in-house design team, led by Peter Roth, has a combined experience of over 60 years designing the best hospitality furniture for the most prestigious venues around the world.

Working very closely with our customers, the focus is always on designing not only great looking products, but ensuring the latest innovations and trends are incorporated into every product we make.

Evolving Designs

Our designs are “never final”. They evolve and because we have our own factory, we are able to work with clients to customise many of our products to meet their specific design needs, giving them a truly unique experience.

The design is crucial as and the product needs to be multifunctional, practical and tough enough to meet the demands of the busiest hotels and conference centres around the world; every Burgess product is made to the highest standards in our UK factory.

Before we launch any new design, it has to undergo rigorous independent testing, to ensure it performs as well as it looks.

Every member of the Burgess team works hard to ensure the end product and customer service matches the highest demands and expectations of the hospitality industry.



Peter Roth and Team

CHAIRS



RANGES

Looking for chairs?

Burgess Furniture has a wide variety of chairs meeting different tastes and needs. Pick yours now!

| | PAGE | CONFERENCE | EVENTS & DINING | MEETING | BEDROOM | CASUAL SEATING |
|----------------|------|------------|-----------------|---------|---------|----------------|
| CELLO | 5 | ✓ | ✓ | ✓ | | |
| COMO | 6 | ✓ | ✓ | ✓ | | |
| COMFORTFLEX | 7 | ✓ | ✓ | ✓ | | |
| EVOSA | 8 | ✓ | ✓ | ✓ | | |
| EVOSA CONGRESS | 9 | ✓ | ✓ | ✓ | | |
| FIORA | 10 | ✓ | ✓ | ✓ | | |
| FLAIR | 11 | ✓ | ✓ | ✓ | | |
| FORUM | 12 | ✓ | | ✓ | ✓ | |
| INICIO | 14 | ✓ | ✓ | | | |
| JUNEA | 16 | | | ✓ | ✓ | ✓ |
| MENDOLA | 26 | ✓ | ✓ | ✓ | | |
| ORVIA | 28 | ✓ | ✓ | ✓ | | |
| RIGO | 29 | ✓ | ✓ | | | |
| SENTRUM | 30 | | | ✓ | ✓ | |
| SIENA | 32 | ✓ | ✓ | ✓ | | |
| SIMBIA | 34 | | ✓ | ✓ | | |
| SMART QUBE | 36 | | | ✓ | ✓ | ✓ |
| SALON | 38 | | ✓ | ✓ | | |
| TIANI | 40 | | | ✓ | ✓ | ✓ |
| TURINI | 42 | ✓ | ✓ | ✓ | | |
| VARIO | 39 | ✓ | ✓ | ✓ | | |

Conference – Furniture needs to offer comfort and allow for conference venues to fit a high number of people comfortably into a given space. Burgess Furniture allows for this and our teams provide our customers with seating layouts carefully designed to keep the latter in mind.

Events & Dining – Dining furniture needs to offer comfort and elegance whilst also maximising occupancy. Burgess keeps all this in mind when designing new events and dining products.

Meeting – Meeting furniture offers comfort and style. Burgess meeting furniture offers you just that!

Bedroom – Bedroom furniture needs to either fit under a desk and be functional and stylish whilst also bringing a home from home feel, or be a feature in the room and really boast comfort and great style.

Casual seating – Casual seating furniture offers fun, comfort, and out of the box design whilst also answering the growing need for technology. Burgess Furniture casual seating range offers our end users just that!

CELLO

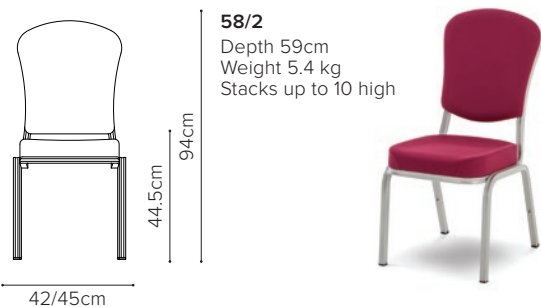
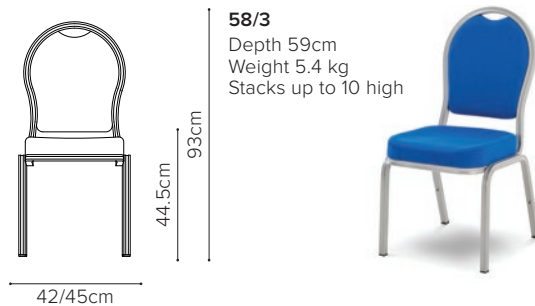
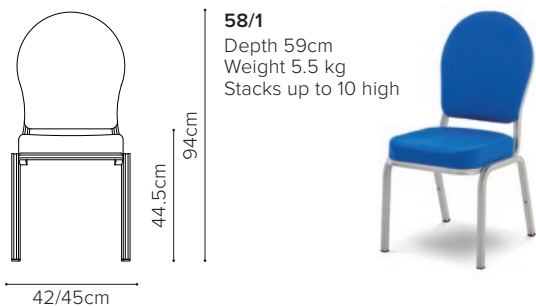
This distinctive collection features our original fluted aluminium extrusion which accentuates the elegant lines of the chairs. The range incorporates the Allday™ Comfort Plus seat cushion and a standard width of 45cm or space-saver width of 42cm.

Features

- Generous Comfort Plus contoured seat
- Unique involute lightweight aluminium frame
- Discreet stack buttons
- Black plastic feet
- Frame stacking
- For information on trolleys see page 44

Options

- Classic arm (suffix A)
- The space-saver width of 42cm
- Plastic linking available in gold, silver and black
- Retractable linking with optional numbering
- Detachable tablet
- Upholstery can be chosen from a wide range of Burgess fabrics
- A wide range of frame finishes is available



CELLO ARMCHAIR

Armchair option available for all models (suffix A).

Weight: + 0.7kg | Width: + 15cm



COMO

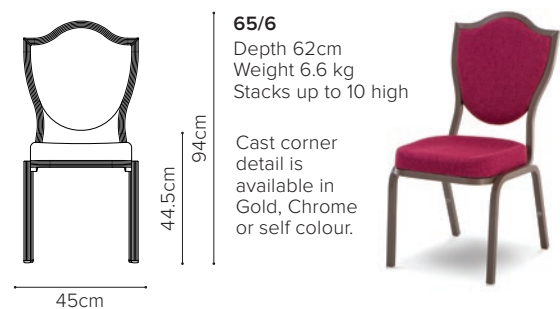
“An elegant range of reeded frame chairs”. This range incorporates the Allday™ Comfort Plus seat cushion, dished backs and are 45cm wide as standard. All models are available with arms and can be stacked 10 high. All our chairs are FIRA tested to high standards.

Features

- Dished back
- Generous Comfort Plus contoured seat
- Discreet stack buttons
- Clear plastic feet
- Frame stacking
- For information on trolleys see page 44

Options

- Classic arm (suffix A)
- Plastic linking available in gold, silver and black
- Retractable linking with optional numbering
- Detachable tablet
- Handhold
- Cast corner detail featured on 65/6 is available in gold, chrome or self-colour
- Upholstery can be chosen from a wide range of Burgess fabrics
- A wide range of frame finishes is available



COMO ARMCHAIR

Armchair option available for all models (suffix A).

Weight: + 0.7Kg | Width: + 15cm



COMFORTFLEX

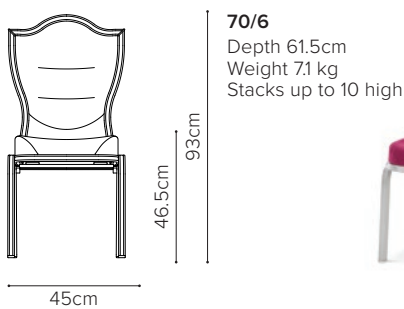
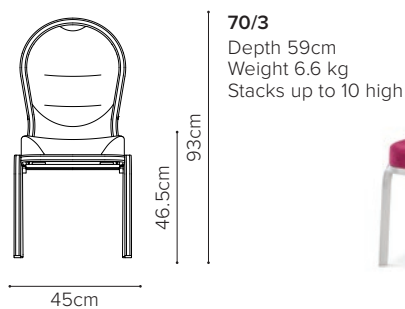
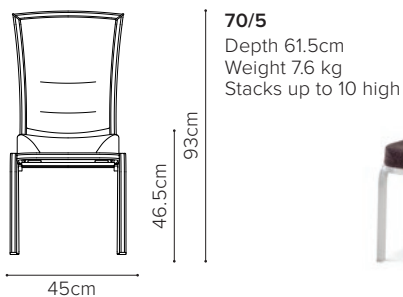
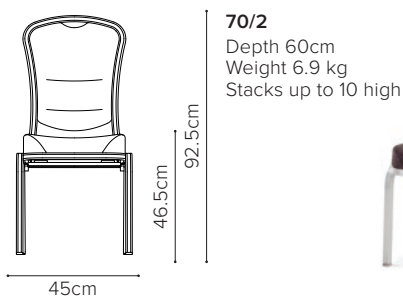
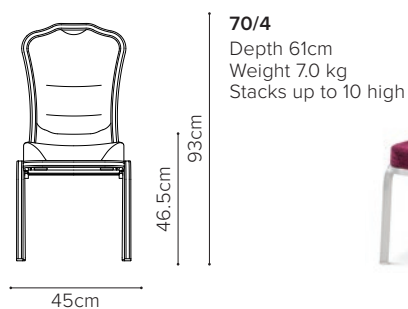
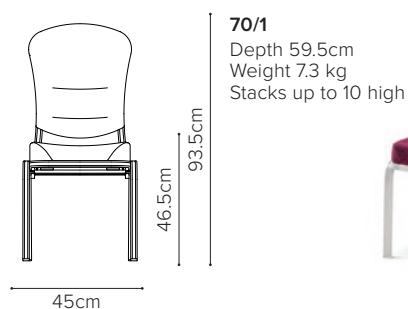
“An elegant range of reeded frame chairs”. This range incorporates the Allday™ Comfort Plus seat cushion dished backs and are 45cm wide as standard. All models are available with arms and can be stacked 10 high.

Features

- Generous Comfort Plus contoured Seat
- High-tech composite hinge independently strength tested
- Dished back incorporating lumbar support
- Models 70/2, 70/3 and 70/4 come with handhold
- Cast corner detail featured on 70/5 and 70/6 is available in gold, chrome or self-colour
- Lumbar support and webbed seat
- Frame stacking
- For information on trolleys see page 44

Options

- Plastic linking available in Gold, Silver and Black
- Detachable writing tablet



EVOSA

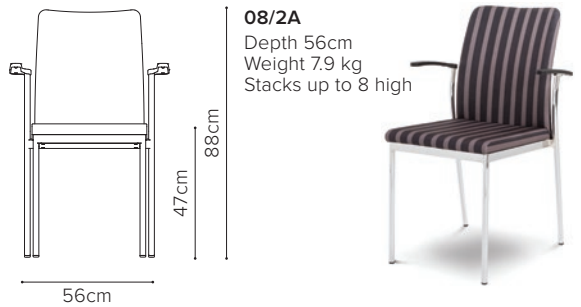
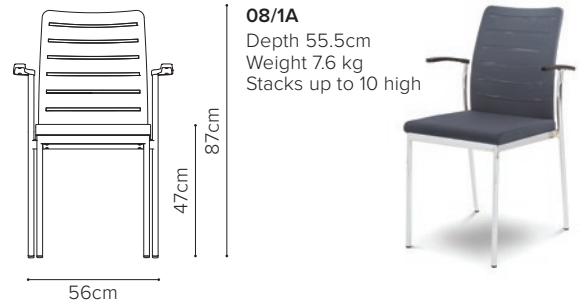
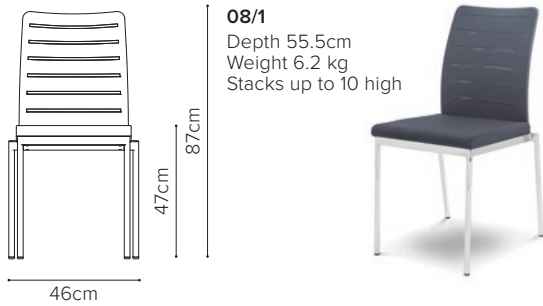
“Minimalist styling to complement any room”. Evosa is the perfect chair for the most prestigious venues. The slender chrome plated steel frame and the option of a knitted mesh or upholstered back create a modern chair of outstanding design and quality.

Features

- Elegant corner detail
- Choice of upholstered back or innovative knitted mesh back fabric
- Chrome plated mild steel frame (powder coat available on request)
- Upholstered seat with built-in webbing for comfort
- Seat stacker
- Black plastic feet
- For information on trolleys see page 44

Options

- Sleek moulded arm pad (suffix A)
- Knitted mesh back available in black as standard (other colours available on request)
- Linking clip
- Burgess industrial frame finish available



EVOSA CHAIR

Available in our new Burgess Industrial Frame finish.



EVOSA CONGRESS

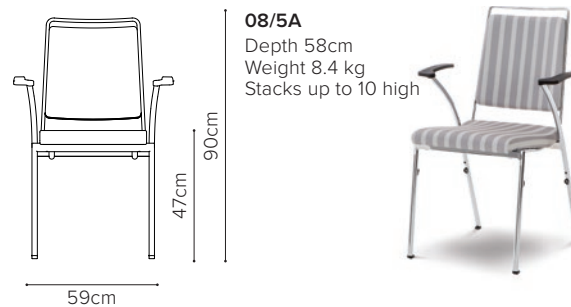
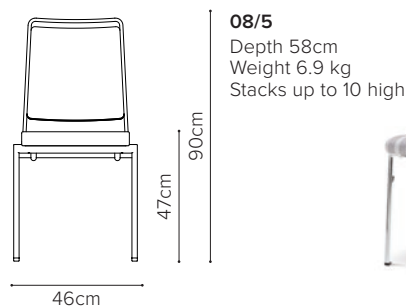
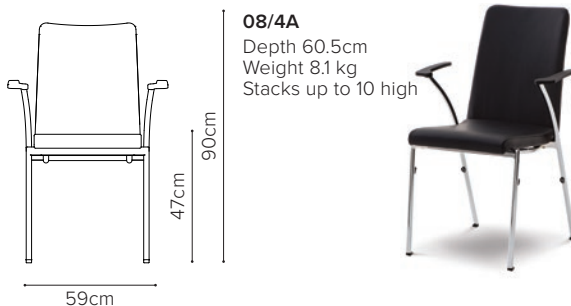
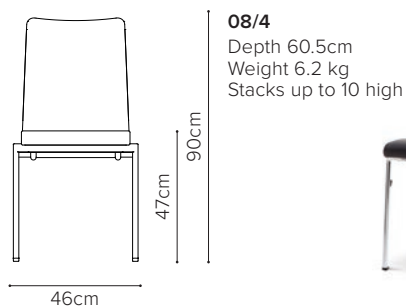
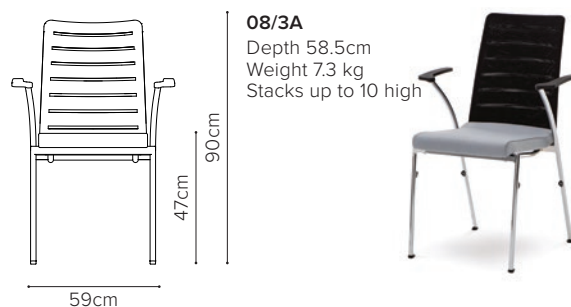
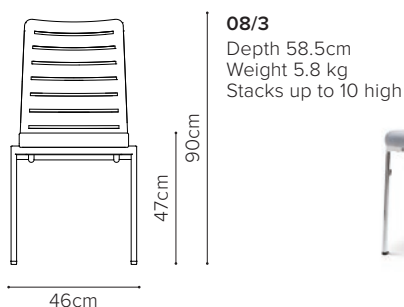
Evosa Congress is the perfect chair for the most prestigious venues. There are three model options, all with a stylish slender chrome plated steel frame and the latest innovative stacking buffers. This chair creates a new high in outstanding design and quality.

Features

- Elegant corner detail
- Upholstered waterfall seat with built-in webbing for comfort
- Chrome plated mild steel frame
- Choice of upholstered back or innovative knitted mesh back fabric
- Front stack buffer innovation, 'hooks' over frame of chair below for positive frame stacking
- Stacks 10 high
- Frame stacking
- For information on trolleys see page 44

Options

- Sleek moulded arm pad (suffix A)
- Knitted mesh back available in black as standard (other colours available on request)
- Detachable tablet
- Retractable linking
- Burgess industrial finish available



EVOSA CONGRESS CHAIR

Available in our new Burgess Industrial Frame finish.



FIORA

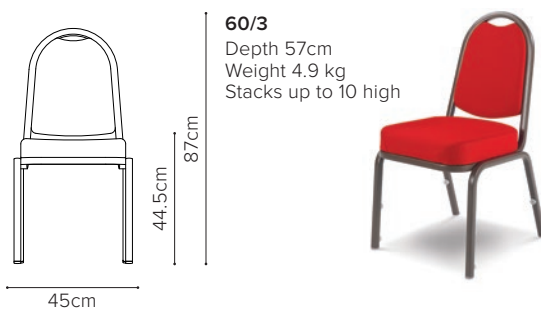
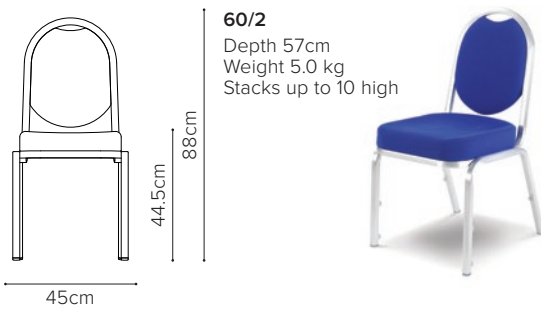
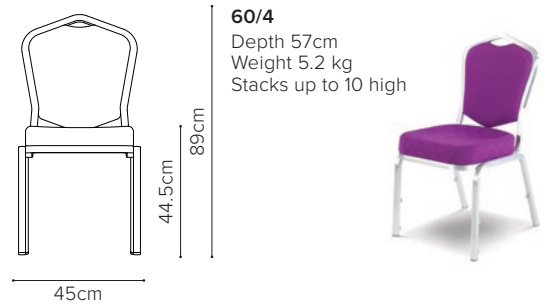
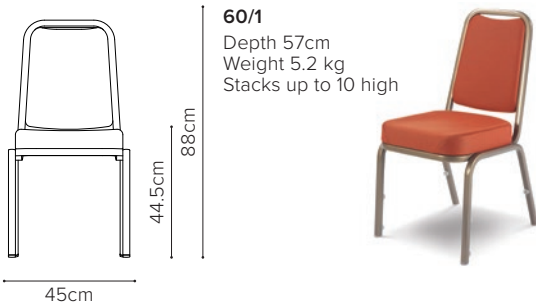
“Fiora looks stunning in any environment”.
All models in the Fiora collection feature our acclaimed Comfort Plus contoured seat, ensuring superb posture and comfort.

Features

- Handhold
- Generous Comfort Plus contoured seat
- Unique convex aluminium tube
- Clear plastic feet
- Discreet stack buttons
- Frame stacking
- For information on trolleys see page 44

Options

- Classic arm (suffix A)
- Plastic linking available in gold, silver and black
- Retractable linking with optional numbering
- Detachable tablet
- Upholstery can be chosen from a wide range of Burgess fabrics
- A wide range of frame finishes are available



FIORA ARMCHAIR

Armchair option available for all models (suffix A).
Weight: + 0.7Kg | Width: + 15cm



FLAIR

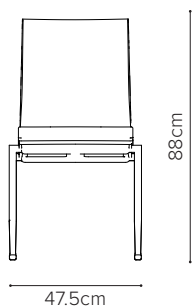
“Flair incorporates all that is desirable in a conference chair”. Flair is designed for use in all aspects of conferencing, from the large congress hall facility to the intimate meeting room. The simple aesthetics and clean lines give architects and designers flexibility to offer a contemporary solution for all environments.

Features

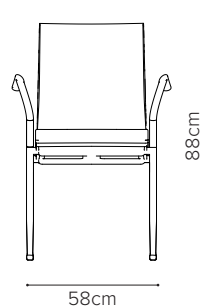
- The contoured upholstered back offers lumbar support to create the most comfortable solution for conferences
- The chrome plated frame features a unique flared leg
- Foot incorporating a stack buffer to guide and retain the chairs' position for increased stability
- Frame stacking
- For information on trolleys see page 44

Options

- Recessed handle fits snugly in the back of the chair
- Retractable linking with optional numbering
- Detachable tablet



17/1
Depth 58cm
Weight 7.7 kg
Stacks up to 10 high



17/1A
Depth 58cm
Weight 9.2 kg
Stacks up to 10 high



FLAIR OPTIONAL FEATURE

Recessed handle fits snugly in the back of the chair.



FORUM

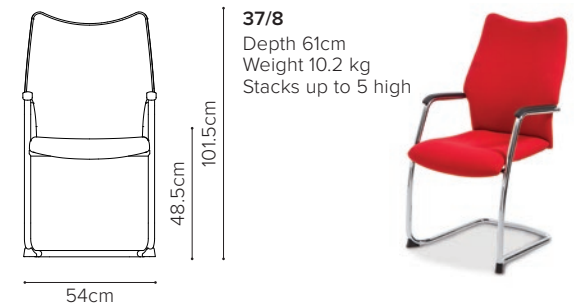
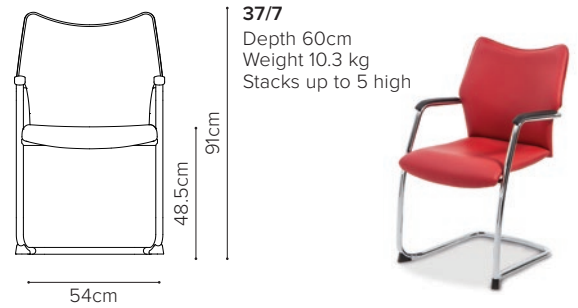
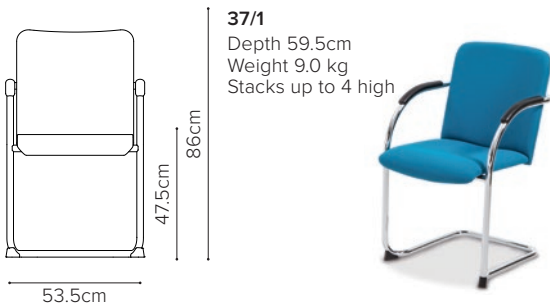
“The Forum collection provides seating solutions for a broad spectrum of meeting and facilities.” Each model combines stylish design with enduring comfort.

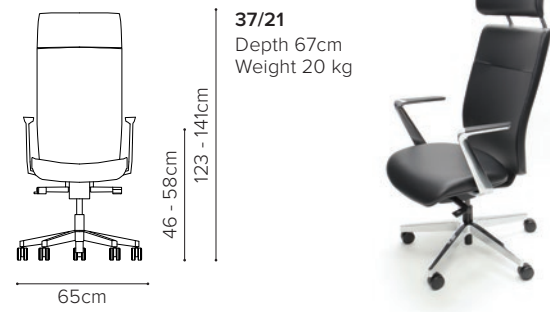
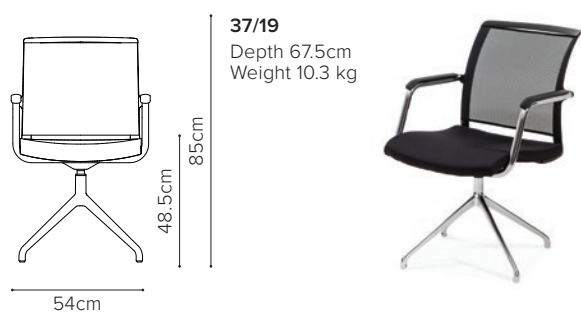
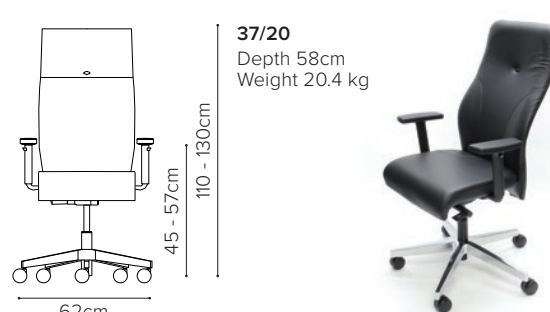
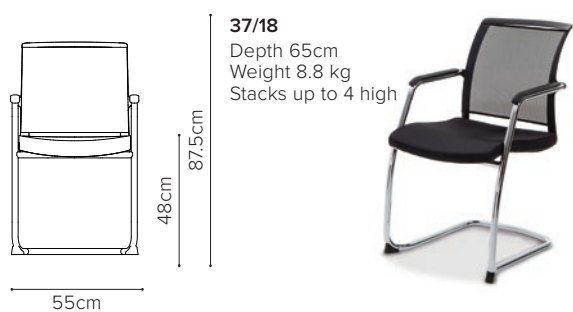
Features

- Multi-contoured upholstered back
- Moulded polyurethane arm pads
- Chrome plated high tensile steel frame
- Seat stacking where applicable
- For information on trolleys see page 44

Options

- Felt pads for use on hard floors





INICIO®

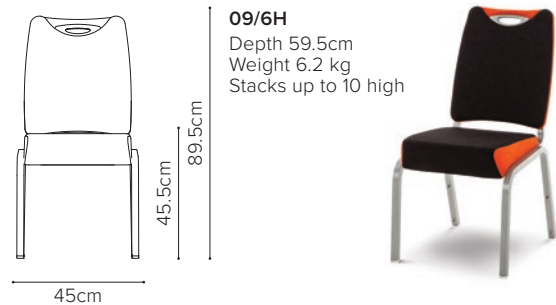
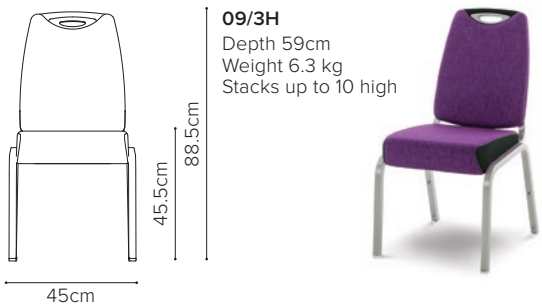
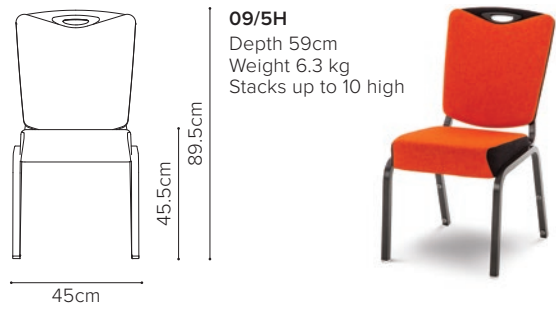
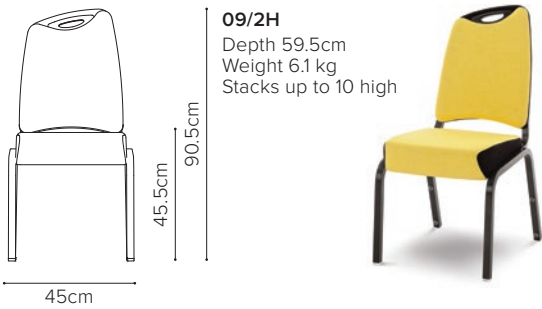
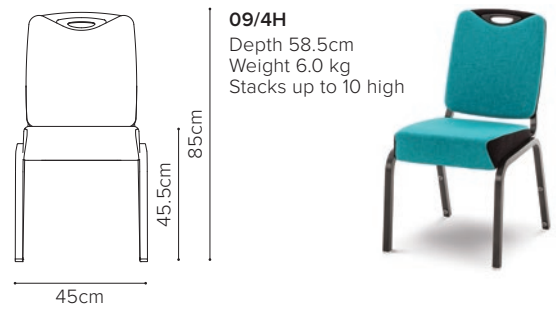
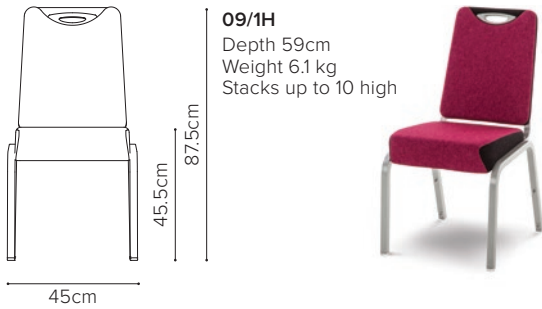
“Inicio®... A classic, redefined”. Inicio’s® innovative forward sloping lightweight aluminium frame, together with its unique wedge seat and slim back construction, creates a modern and dynamic aesthetic, whilst retaining superior levels of comfort. With a choice of 6 back shapes, a choice of mono or two-tone upholstery, a wide range of solid paint finishes and a bespoke colour-matched handhold, Inicio® provides scope to create a unique chair to enhance any modern interior.

Features

- Bespoke die-cast handle
- Wedge seat for maximum comfort
- Lightweight aluminium frame
- Discreet clear stacking buttons
- Clear plastic feet
- Frame stacking
- For information on trolleys see page 44

Options

- Handhold
- Retractable linking and numbering
- Writing tablets
- Mono or two-tone upholstery
- Upholstery can be chosen from a wide range of Burgess fabrics
- A wide range of solid paint frame finishes is available



INICIO ARMCHAIR AND BACK FEATURE

Armchair option available for all models (suffix A).

Weight: + 0.5kg | Width: + 11cm





JUNEA®

“Junea® blends stunning aesthetics with exceptional comfort.” The 10/1 low-back model features 3D precision knitted upholstery which creates self-supporting covers that fit to the exact curves and contours of the carefully designed cantilever upper frame.

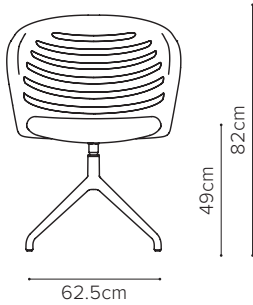
Generous proportions mean this multifunctional collection can be used in meeting rooms, hotel bedrooms or is equally suited for lounges and breakout areas.

Features

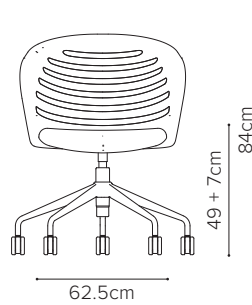
- Lowback armchair
- 3D precision knitted upholstery that fit the curves and contours of the frame
- Knitted mesh: Trevira CS yarn meets BS EN 5852: 2006 Ignition Source 5
- Multi-contoured upholstered seat
- All models tested at FIRA to Strength & Stability tests BS EN 16139: 2013 Level 1 & BS EN 1335-2: 2009

Options

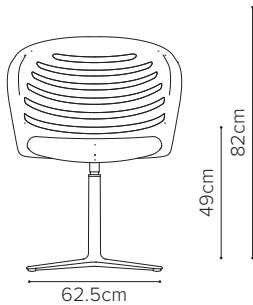
- A choice of 5 different bases.
- Mesh cover available in 5 different colours
- Seat upholstery can be chosen from a wide range of Burgess fabrics
- Aluminium cast bases available polished, or painted black or white textured finish
- Wooden 4-star base available in Natural, Grey stain, Wenge stain or Whitened hardwood



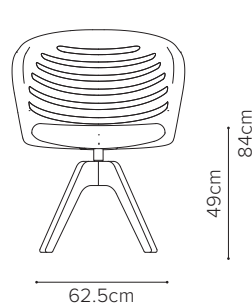
10/1 MESH
Depth 60cm
Weight 9.1 kg
Raised four star base



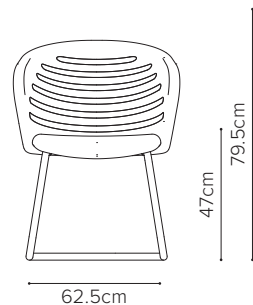
10/1 MESH
Depth 60cm
Weight 10.6 kg
Height + 7cm (height adjustable)
Five star base on castors



10/1 MESH
Depth 60cm
Weight 9.3 kg
Low four star base



10/1 MESH
Depth 60cm
Weight 10.0 kg
Four star wooden base



10/1 MESH
Depth 60cm
Weight 8.9 kg
Cantilever





JUNEA[®] *continued*

“Junea[®] blends stunning aesthetics with exceptional comfort.” The 10/3 low-back model.

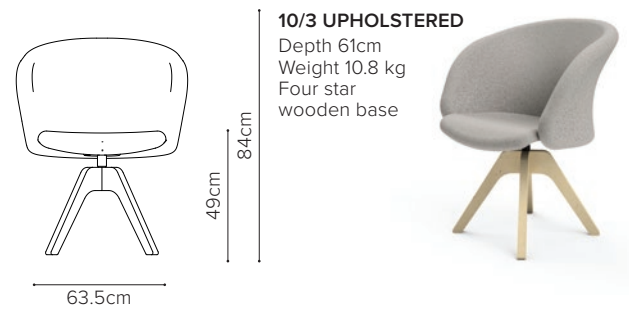
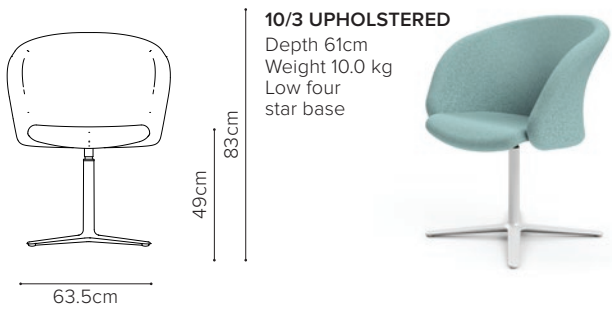
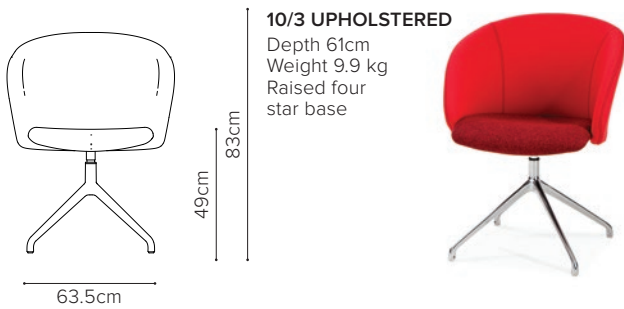
Generous proportions mean this multifunctional collection can be used in meeting rooms, hotel bedrooms or is equally suited to relating in lounges and breakout areas.

Features

- Lowback armchair
- Multi-contoured upholstered seat
- All models tested at FIRA to Strength & Stability tests BS EN 16139: 2013 Level 1 & BS EN 1335-2: 2009

Options

- A choice of 5 different bases.
- Seat upholstery can be chosen from a wide range of Burgess fabrics
- Aluminium cast bases available polished, or painted black or white textured finish
- Wooden 4-star base available in Natural, Grey stain, Wenge stain or Whitened hardwood



JUNEA® *continued*

“The Junea® 10/11 low-back chair features a tailored fabric cover exuding the sophistication of a domestic chair without compromising on the longevity required for contract furniture.” Our trained upholsterers carefully upholster each frame by hand ensuring the highest quality of finish.

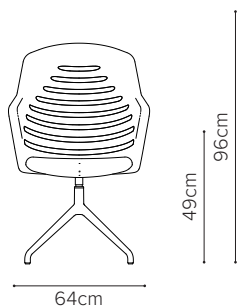
The broad combination of bases, fabrics & finishes provide the opportunity to create a unique look for hotel bedrooms, lounges, breakout areas & meeting rooms.

Features

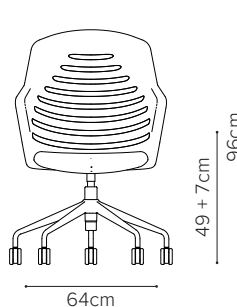
- High back armchair
- 3D precision knitted upholstery that fits the curves and contours of the frame
- Knitted mesh: Trevira CS yarn meets BS EN 5852: 2006 Ignition Source 5
- Multi-contoured upholstered seat
- All models tested at FIRA to Strength & Stability tests BS EN 16139: 2013 Level 1 & BS EN 1335-2: 2009

Options

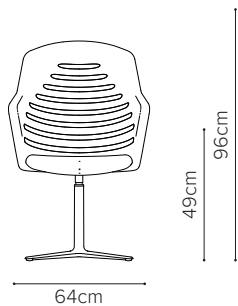
- A choice of 6 different bases.
- Mesh cover available in 5 different colours
- Seat upholstery can be chosen from a wide range of Burgess fabrics
- Aluminium cast bases available polished, or painted black or white textured finish
- Wooden 4-star base available in Natural, Grey stain, Wenge stain or Whitened hardwood
- Wooden rockers available in Natural, Grey stain or Wenge stain hardwood
- Rocker underframe available in a wide range of solid frame finishes



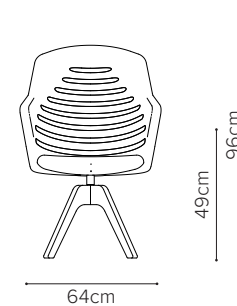
10/11 MESH
Depth 68cm
Weight 9.5 kg
Raised four star base



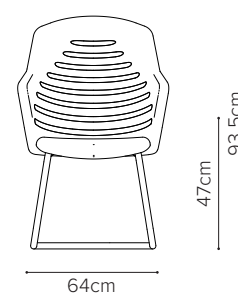
10/11 MESH
Depth 68cm
Weight 11.0 kg
Five star base on castors



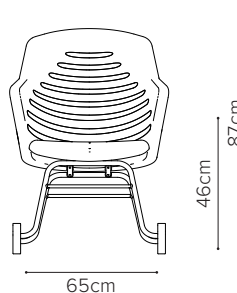
10/11 MESH
Depth 68cm
Weight 9.7 kg
Low four star base



10/11 MESH
Depth 68cm
Weight 10.4 kg
Four star wooden base



10/11 MESH
Depth 68cm
Weight 9.3 kg
Cantilever



10/11 MESH
Depth 91cm
Weight 10.7 kg
Rocker



JUNEA® ROCKER

Rocker option available for all highback models.
Rocker underframe available in a wide variety of frame finishes.
For more information, please get in touch.





JUNEA[®] *continued*

The Junea[®] 10/13 highback model chair features a tailored fabric cover conveying the sophistication of a domestic chair without compromising on the longevity required for contract furniture.” Our trained upholsterers carefully upholster each frame by hand ensuring the highest quality of finish.

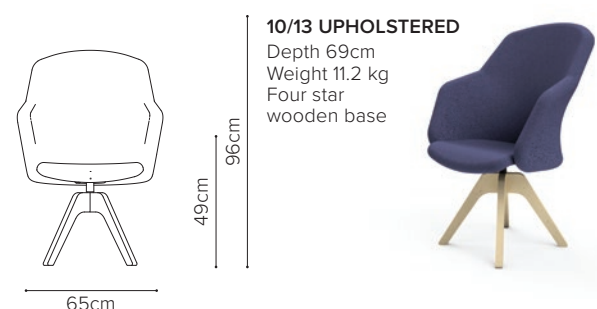
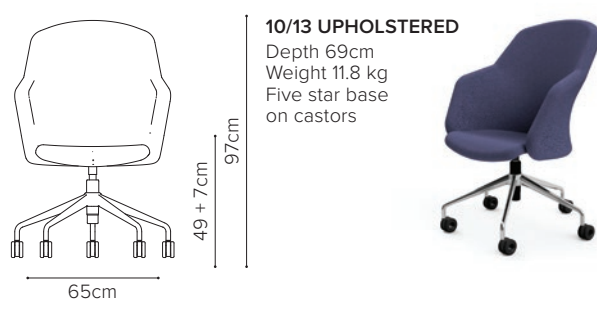
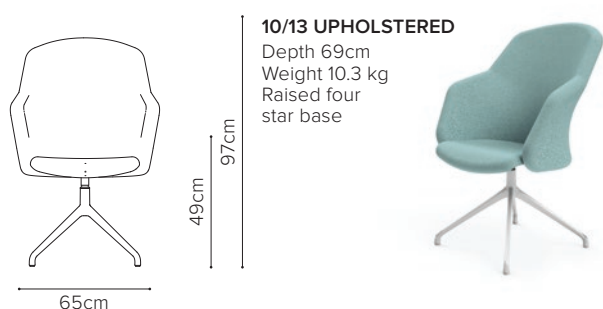
The broad combination of bases, fabrics & finishes includes the additional option of a rocking chair base which will have your hotel guests smiling the minute they sit down and provides the opportunity to create a unique look for hotel bedrooms, lounges, breakout areas & meeting rooms.

Features

- High back armchair
- Fully upholstered to fit the curves and contours of the frame
- Multi-contoured upholstered seat
- All models tested at FIRA to Strength & Stability tests BS EN 16139: 2013 Level 1 & BS EN 1335-2: 2009

Options

- A choice of 6 different bases.
- Upholstery can be chosen from a wide range of Burgess fabrics
- Aluminium cast bases available Polished, or painted black or white texture finish
- Wooden 4-star base available in Natural, Grey stain, Wenge stain or Whitened hardwood
- Wooden rockers available in 3 finishes: Natural, Grey stain, or Wenge stain hardwood
- Rocker underframe available in a wide range of solid frame finishes



JUNEA[®] ROCKER

Rocker option available for high back models.
For more information, please get in touch.



Chairs

Image courtesy of The Westin Doha Hotel & Spa - Qatar





MENDOLA

“Mendola brings you a new level of comfort”. The Mendola chair with ProBax® Advanced Seating Technology brings a new level of comfort to your events.

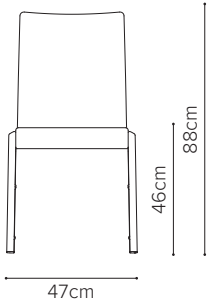
Mendola is a contemporary multi-purpose aluminium chair perfect for events and conference venues. The design incorporates ProBax® Advanced Seating Technology which has been awarded the FIRA Innovation Award.

Features

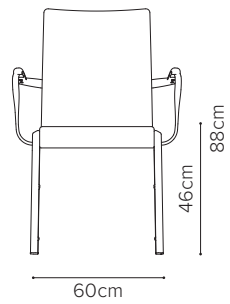
- ProBax®
- Multi-contoured shell to provide ergonomic support
- Lightweight triangular aluminium extrusion
- Clear stack buttons guide that retains the chairs position for increased stability
- Stack up to 10 high
- Arms with elegant twist detail
- Frame stacking
- For information on trolleys see page 44

Options

- Recessed handhold at the back
- Retractable linking (with or without numbering)
- Detachable rotary writing tablet



07/1
Depth 57cm
Weight 5.3 kg
Stacks up to 10 high



07/1A
Depth 57cm
Weight 6.0 kg
Stacks up to 10 high



MENDOLA FEATURE

The arm features an elegant twist detail.





ORVIA

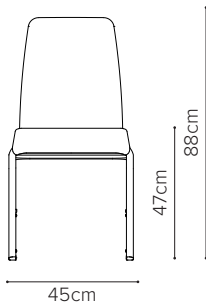
“Orvia is the new benchmark in contemporary banquet and conference chairs”. Orvia has achieved the FIRA Ergonomics Excellence Award. Melding the latest innovative design with a unique asymmetrical aluminium extrusion to create the illusion of slender elegance, whilst retaining the inherent strength for which Burgess chairs are renowned, the world over.

Features

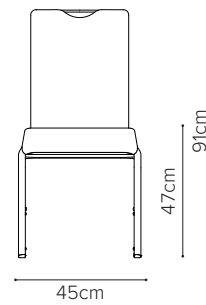
- Five contemporary back shapes
- The uniquely designed geometry for the underframe ensures the chair can be stacked 10 high
- The flexing and contoured upholstered back with lumbar support creates the most comfortable solution for conference and dining
- The ergonomically designed seat cushion is multi-contoured providing greater support and a generous seating platform
- Unique asymmetrical aluminium extrusion creates an illusion of slender elegance
- Frame stacking
- For information on trolleys see page 44

Options

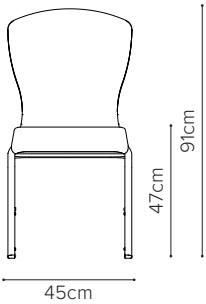
- Discreet Top Rail
- Retractable linking with optional numbering
- Elegant arms make a functional and stylish feature (suffix A)
- Detachable writing tablet with rotary action



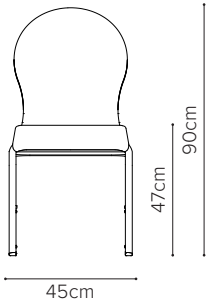
12/1
Depth 62.5cm
Weight 7.2 kg
Stacks up to 10 high



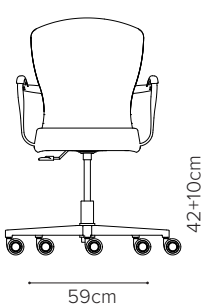
12/3T
Depth 63.5cm
Weight 7.6 kg
Stacks up to 10 high



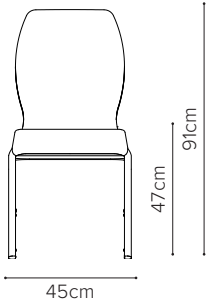
12/2
Depth 63.5cm
Weight 7.5 kg
Stacks up to 10 high



12/4
Depth 63cm
Weight 7.4 kg
Stacks up to 10 high



12/12A
Depth 63.5cm
Weight 11.4 kg



12/5
Depth 62.5cm
Weight 7.4 kg
Stacks up to 10 high



ORVIA ARMCHAIR

Armchair option available for all models.
For more information, please get in touch.



RIGO

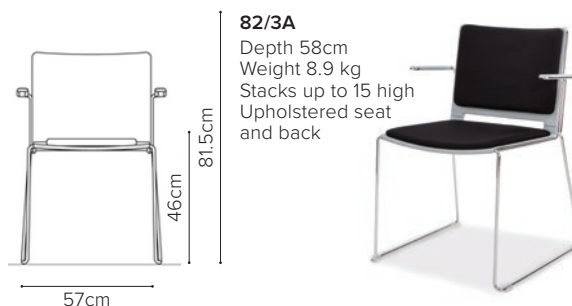
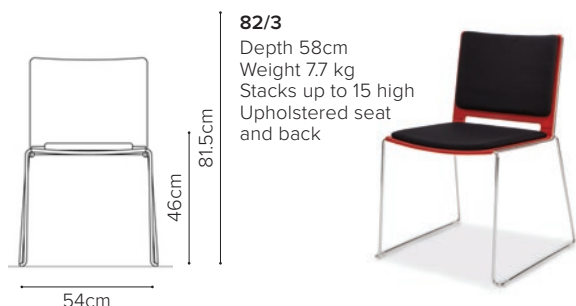
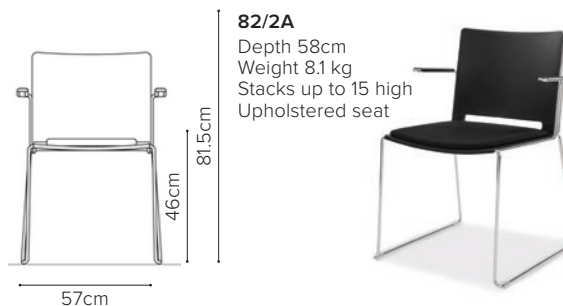
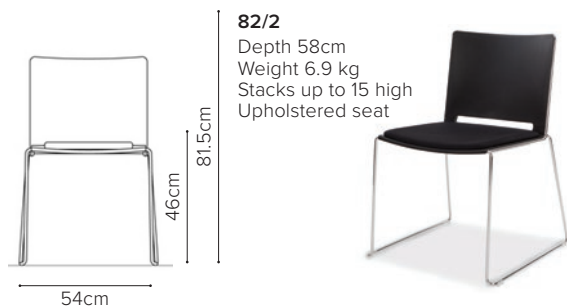
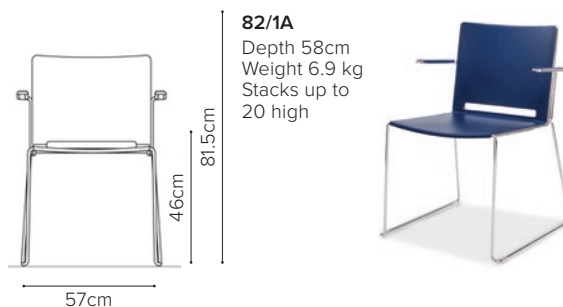
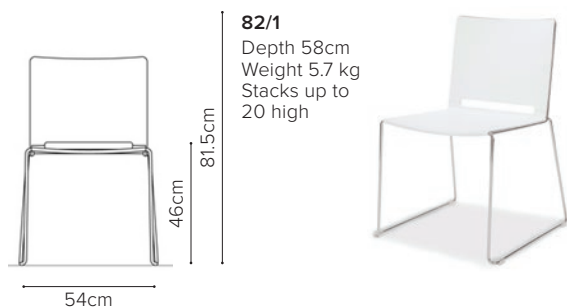
“Rigo is simply stylish”. Rigo is a steel rod chair available with a chrome plated finish. With its straight lines and multitude of applications, Rigo is sure to be a winner. Rigo has an injection moulded polypropylene seat and back with a UV resistant treatment and is available in several colour options. It can also be supplied with upholstered seat and back pads from the Burgess collection of fabrics or can be specified by the client.

Features

- Chrome plated mild steel rod frame
- Injection moulded polypropylene seat and back with an UV resistant treatment
- The 82/1 stacks up to 20 high. The 82/3 & 82/3 stack up to 15 high
- Seat stacking
- Rigo chair trolley available

Options

- Injection moulded polypropylene arm pads (suffix A)
- Upholstered seat and back pads from the Burgess collection of fabrics or can be specified by the client
- Felt pads to minimise noise on hard floors
- Detachable tablet (on armchairs only)
- Floor level linking



RIGO HIGH STOOL

All models available in high stools.
For more information, please get in touch.





RIGO *continued*

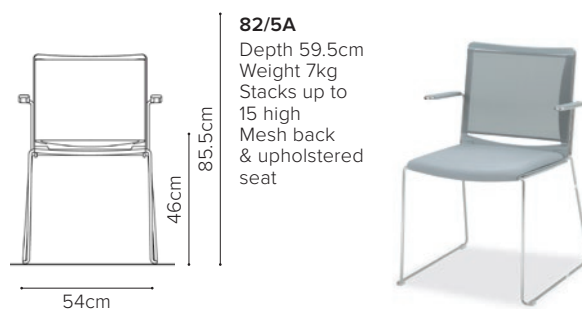
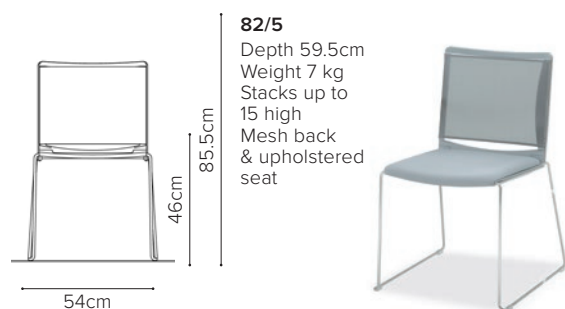
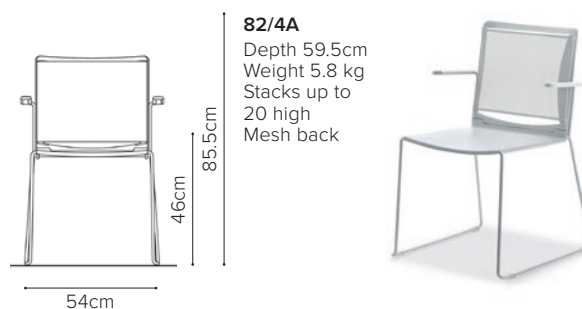
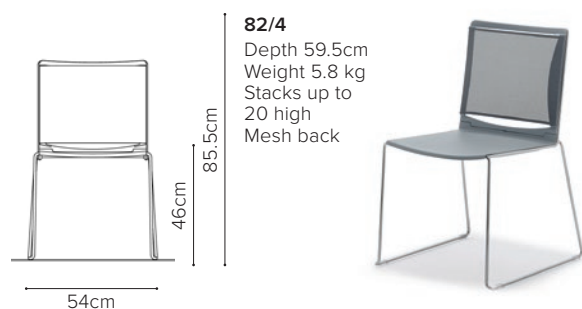
“Rigo is simply stylish”. Rigo is a steel rod chair available with a chrome plated finish. With its straight lines and multitude of applications, Rigo is sure to be a winner. Rigo has an injection moulded polypropylene seat and back with a UV resistant treatment and is available in several colour options. It can also be supplied with upholstered seat pads from the Burgess collection of fabrics or can be specified by the client. The below ranges come with a Mesh back available in black, white or grey.

Features

- Chrome plated mild steel rod frame
- Injection moulded polypropylene seat and back with an UV resistant treatment
- The 82/4 stacks up to 20 high. The 82/5 stacks up to 15 high
- Seat stacking
- Rigo chair trolley available

Options

- Injection moulded polypropylene arm pads (suffix A)
- Upholstered seat pads from the Burgess collection of fabrics or can be specified by the client
- Felt pads to minimise noise on hard floors
- Detachable tablet (on armchairs only)
- Floor level linking



SENTRUM

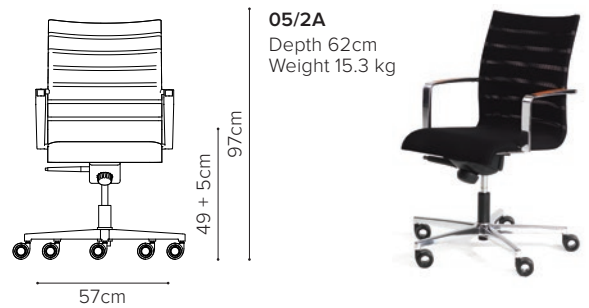
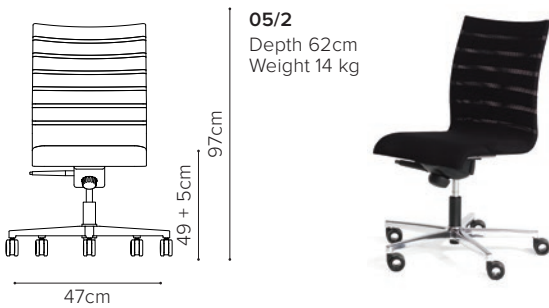
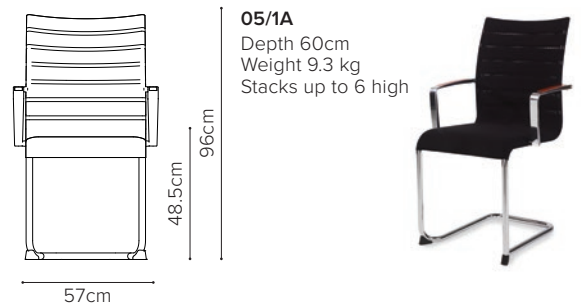
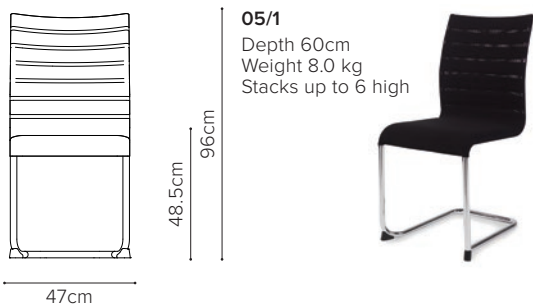
“Contemporary chairs to suit any space”.
Sentrum gives superb comfort from its built-in webbed seat and features a tapered chromed steel frame which is covered with an innovative knitted stretch mesh fabric.

Features

- Innovative knitted mesh in black as standard
- Cantilever or height adjustable 5 star base with castors
- Suitable for any meeting, conference, boardroom or office environment
- Chrome steel frame
- Built-in webbed seat
- 05/1 & 05/1A models stack up to 6 high
- For information on trolleys see page 44

Options

- Polished aluminium cast arms with timber pad insert
- Felt pads help to minimise noise and markings on hard floors
- Alternative mesh colours available



SENTRUM ARMCHAIR

Polished aluminium cast arms with timber inserts available.





SIENA-ALLDAY™

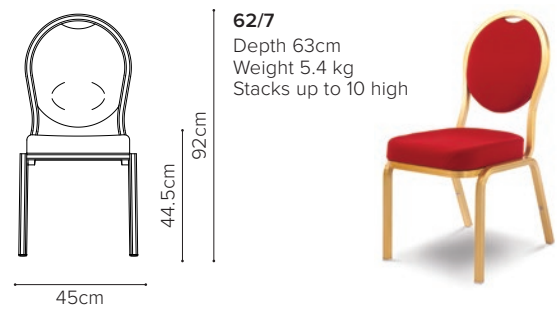
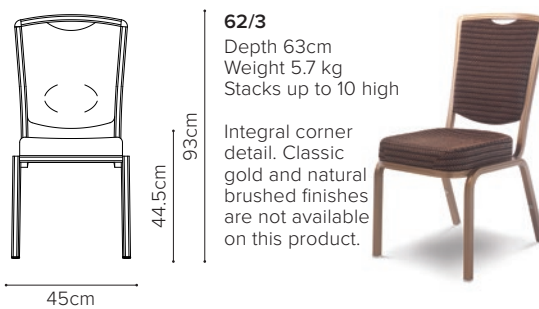
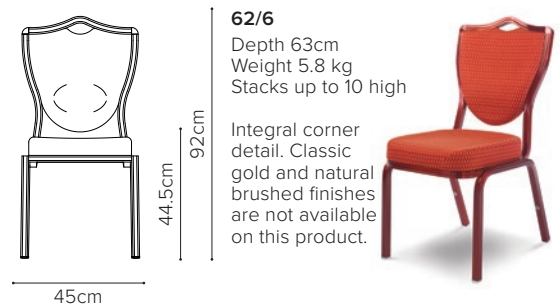
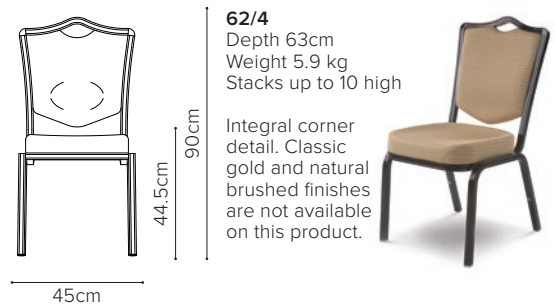
This distinctive collection features our original Siena aluminium extrusion which accentuates the elegant lines of the chairs. The range incorporates the Allday™ Comfort Plus seat cushion and a standard width of 45cm.

Features

- Generous Comfort Plus webbed seat
- Dished back incorporating lumber support and handhold.
- The Integral corner detail is featured on the 62/3E, 62/4E and the 62/6E
- Frame stacking
- For information on trolleys see page 44

Options

- Classic arm (suffix A)
- Plastic linking available in gold, silver and black
- Retractable linking with optional numbering
- Detachable tablet
- Upholstery can be chosen from a wide range of Burgess fabrics
- A wide range of frame finishes is available



SIENA ARMCHAIR

Armchair option available for all models (suffix A).

Weight: + 0.7kg | Width: + 15cm





SIMBIA®

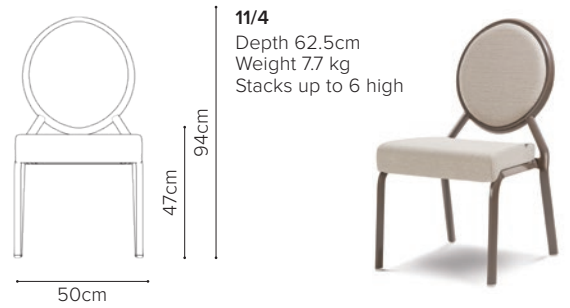
“A classic chair with a contemporary feel”. Simbia® is a luxury dining chair perfect for the most prestigious venues. Its elegant contemporary styling with outstanding design and quality will complement any room.

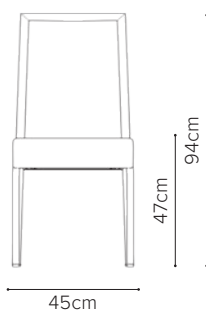
Features

- 4 different back shapes
- Available in 45cm and 50cm wide
- Contemporary asymmetrical aluminium extrusion
- Seat stacking
- Waterfall seat foam
- For information on trolleys see page 44

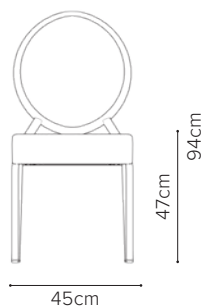
Options

- Elegant arms with fully upholstered pad (suffix A)
- Handhold (suffix H)
- Back Décor options unique to each chair model see page 35 (suffix BD)
- Back Décor can be customised subject to quantity





11/13
 Depth 62cm
 Weight 7.7 kg
 Stacks up to 6 high



11/14
 Depth 62.5cm
 Weight 7.2 kg
 Stacks up to 6 high



BACK DECOR



SIMBIA® ARMCHAIR

Armchair option available for all models (suffix A).
 Weight + 0.9 kg | Width + 13cm



SMART QUBE®

Designed by Peter Roth, Smart Qube® is the perfect addition to lounges and casual seating areas. It answers the need for adaptability and flexibility in these areas and can be set up by the users themselves.

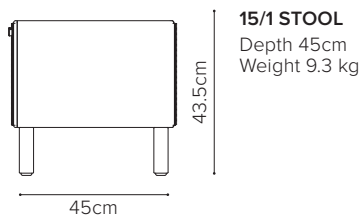
Added functionality with the optional charging point/USB/ power socket integrated in the product offers the option to charge any devices on the go. It also brings a playful element with the zips and added interaction with the user (seating, charging your phone, using the table or changing configurations). The Smart Qube® range is the perfect balance between all these elements and will help you redefine your space.

Features

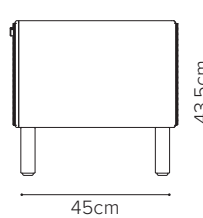
- Versatile soft seating for Pre-Function and Informal areas
- Interaction and collaboration with guests
- Meets the increasing need for technology demands
- Tables can be supplied with the option of glass or HPL tops
- Felt pads to minimise noise and marking on hard floors

Options

- Wireless charging available
- USB and power point integrated
- Zip



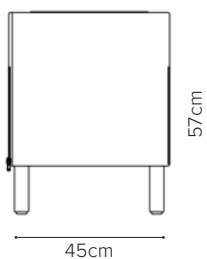
15/1 STOOL
Depth 45cm
Weight 9.3 kg



15/3 TABLE
HPL or Glass top available
Wireless charging available
Depth 45cm
Weight 12.6 kg



15/2 BENCH
Depth 45cm
Weight 18.5 kg



15/4 RAISED TABLE
HPL or Glass top available
Wireless charging available
Depth 45cm
Weight 13.5 kg



INTEGRATED TECHNOLOGY



HPL tops have the option to have the wireless charging module integrated

ZIP TOGETHER TO CONFIGURE





SALON

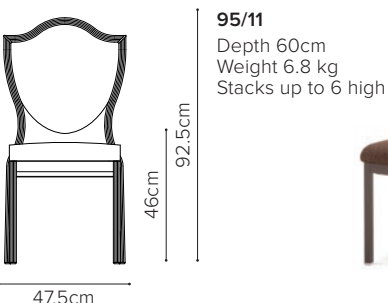
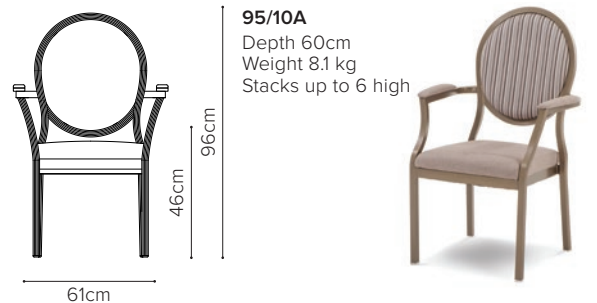
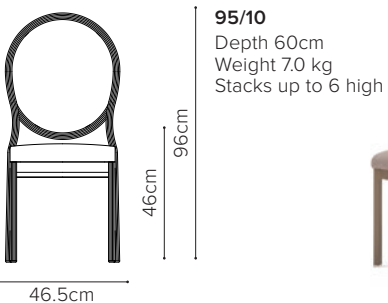
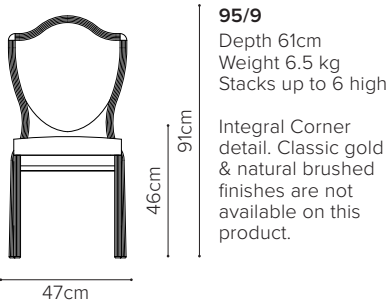
“Number one with top hotels worldwide”. The Salon collection is favoured by many of the most prestigious customers around the world. The classic lines and generous proportions together with superb comfort ensure the Salon chair remains the number one choice for many of our customers.

Features

- 3 different back shapes
- Classic dished back
- Reeded lightweight aluminium extrusion
- Seat stacking
- Comfortable webbed waterfall seat
- Discreet stacking buffers
- For information on trolleys see page 44

Options

- Elegant padded arms (suffix A)
- 95/11 casting available in gold, chrome or matching (solid paint finishes only)
- Optional tube: Siena



SALON CHAIR

Cast corner detail featured on 95/11 and 95/11A is available in Gold, Chrome or self colour.



VARIO-ALLDAY™

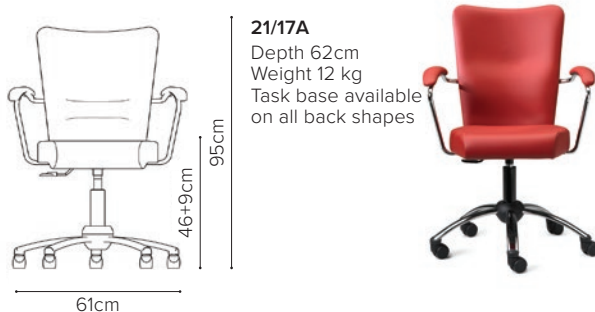
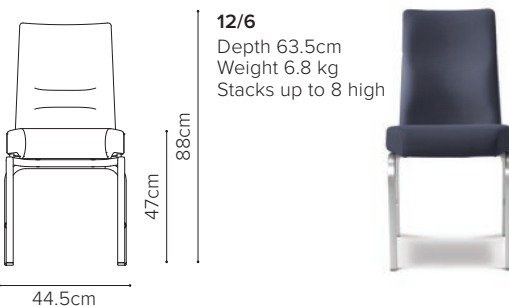
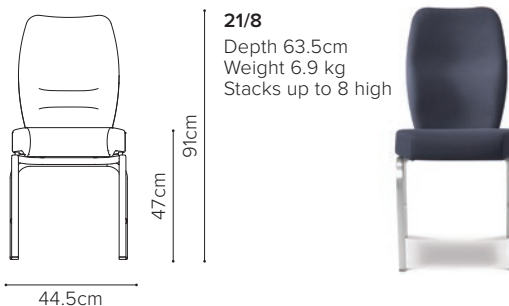
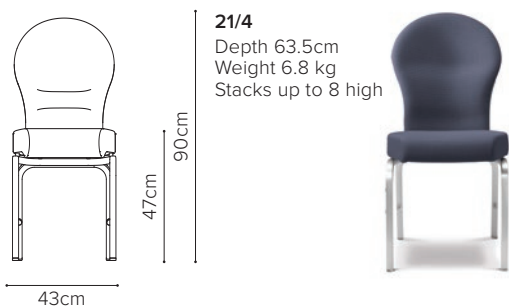
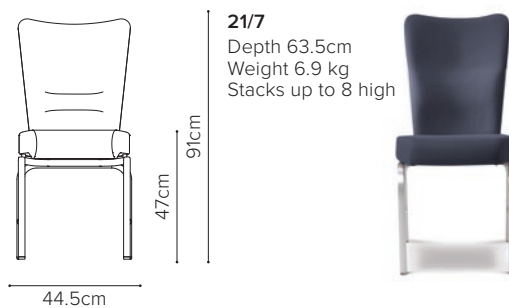
“Vario is a contemporary design that complements both conference and banquet interiors”. Vario-Allday™ has a flex-back, lumbar support and contoured seat achieving ergonomic comfort and quality.

Features

- Flexing back
- Unique convex aluminium underframe
- Frame stacking
- *model 21/17A cannot be stacked
- For information on trolleys see page 44

Options

- Fully upholstered arm pad (suffix A)
- Top rail for ease of handling
- Dining Back Rake Option (please specify with order)
- 4° more upright flex back without lumbar support
- Retractable linking with optional numbering
- Detachable tablet



VARIO ARMCHAIR

Armchair option available for all models.
For more information, please get in touch.



TIANI

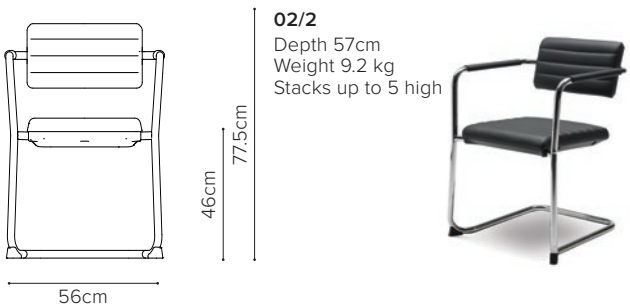
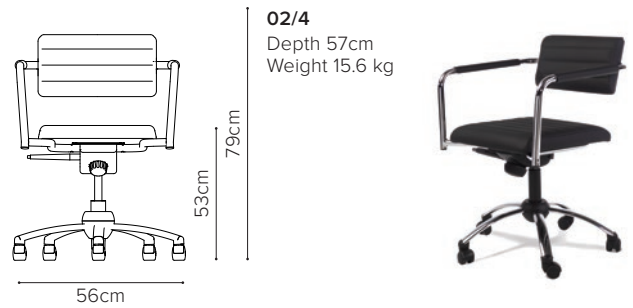
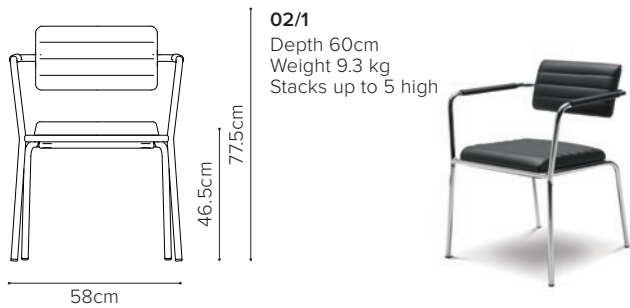
“Blends simple aesthetics with enduring comfort”. Tiani is a collection providing a suite of multi-purpose chairs complementing contemporary interiors. Featuring chrome plated steel frames and a cantilevered back which, with the ribbed upholstery, provides a flexible lumbar support.

Features

- Webbed seat
- Leather arm pads
- Chrome plated high tensile steel frame
- Seat stacking
- For information on trolleys see page 44

Options

- Four-legged base, cantilever or height adjustable 5 star base with castors
- Upholstery and frame finish chrome can be chosen from our wide Burgess range
- Industrial finish



TIANI CHAIR

See page 41 for industrial finish unique look.

Weight: + 0.5kg | Width: + 11cm





TURINI

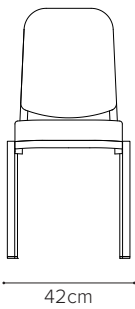
“Turini is a true timeless classic”. The ‘Original’ Turini has stood the test of time, its classic styling comes with a waterfall shaped seat and at 42cm wide, it is designed to maximise space.

Features

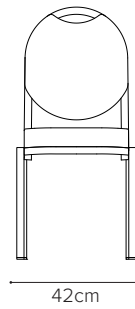
- Waterfall seat cushion
- Square extrusion in lightweight aluminium
- Discreet clear stack buttons
- Black plastic feet
- Frame stacking
- For information on trolleys see page 44

Options

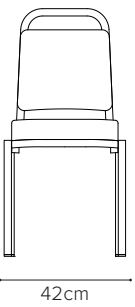
- Classic arms (suffix A)
- Upholstery can be chosen from a wide range of Burgess fabrics
- A wide range of frame finishes is available
- 45cm width also available with Comfort Plus seat
- Retractable linking with optional numbering



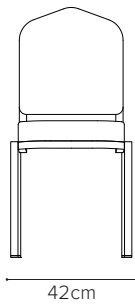
18/1
Depth 58cm
Weight 4.8 kg
Stacks up to 10 high



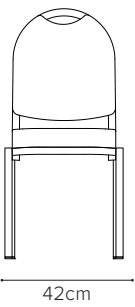
18/4
Depth 58cm
Weight 4.6 kg
Stacks up to 10 high



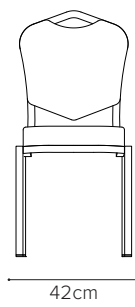
18/2
Depth 58cm
Weight 4.6 kg
Stacks up to 10 high



18/5
Depth 58cm
Weight 5.0 kg
Stacks up to 10 high

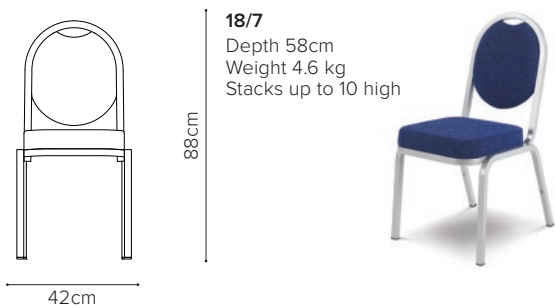


18/3
Depth 58cm
Weight 4.7 kg
Stacks up to 10 high

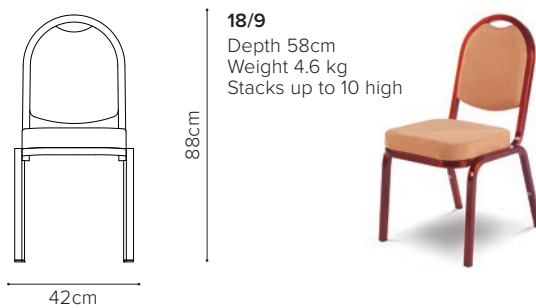


18/6
Depth 58cm
Weight 4.9 kg
Stacks up to 10 high





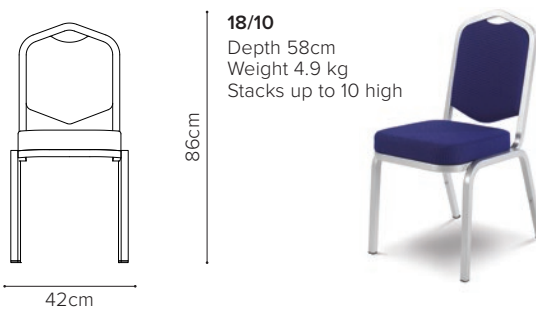
18/7
 Depth 58cm
 Weight 4.6 kg
 Stacks up to 10 high



18/9
 Depth 58cm
 Weight 4.6 kg
 Stacks up to 10 high



18/8
 Depth 58cm
 Weight 4.9 kg
 Stacks up to 10 high



18/10
 Depth 58cm
 Weight 4.9 kg
 Stacks up to 10 high

TURINI ARMCHAIR

Armchair option available for all models (suffix A).

Weight + 0.5 kg | Width + 11cm



CHAIR TROLLEYS



CTH/1
Features include a tubular mild steel, powder coated frame and rubber wheels.
Length 26cm
Width 66cm
Height 125cm
Weight: 8.2 kg



CTH/4
This trolley is for stacked chairs which allows the user to wheel the trolley without the need to take any of the load. Features include a strap to retain the stack of chairs in position, a tubular mild steel powder coated frame and rubber wheels.
Length 82cm
Width 66cm
Height 110cm
Weight 12.5 kg



CTH/5
2 wheeled chair trolley for transporting stack of chairs under the rear legs.
Length 26cm
Width 66cm
Height 125cm
Weight 8.5 kg



CTH/6
3 wheeled chair trolley for transporting stack of chairs under the rear legs. Maximum ease of use.
Length 84cm
Width 66cm
Height 105.5cm
Weight: 11 kg



CTH/7
2 wheeled chair trolley with a padded panel for transporting stacks of mesh backed chairs.
Length 26cm
Width 66cm
Height 113cm
Weight 8.5 kg



CTH/8
The additional loop front slides under the seat to ensure the stack is supported during use.
Length 80cm
Width 65.5cm
Height 125cm
Weight: 10.3 kg

| | CTH/1 | CTH/4 | CTH/5 | CTH/6 | CTH/7 | CTH/8 |
|------------------|-------|-------|-------|-------|-------|-------|
| Cello | ✓ | | ✓ | ✓ | ✓ | |
| Como | ✓ | | ✓ | ✓ | ✓ | |
| Comfortflex | ✓ | | ✓ | ✓ | ✓ | |
| Evosa | | | | | | ✓ |
| Evosa Congress | | ✓ | | | | ✓ |
| Fiora | ✓ | | ✓ | ✓ | ✓ | |
| Flair | ✓ | ✓ | ✓ | | ✓ | |
| Forum* | | | ✓ | | ✓ | |
| Inicio | ✓ | | ✓ | ✓ | ✓ | |
| Mendola | ✓ | | ✓ | | ✓ | |
| Orvia* | ✓ | | ✓ | ✓ | ✓ | |
| Salon | ✓ | | ✓ | | ✓ | |
| Sentrum* | | | ✓ | | ✓ | |
| Siena - Allday™ | ✓ | | ✓ | ✓ | ✓ | |
| Simbia | ✓ | | ✓ | | ✓ | |
| Tiani* | | | ✓ | | ✓ | |
| Turini | ✓ | | ✓ | ✓ | ✓ | |
| Vario - Allday™* | ✓ | | ✓ | ✓ | ✓ | |

* Not applicable on 4/5 star bases

TABLES





RANGES

Looking for tables?

Burgess Furniture has a wide variety of tables meeting different tastes and needs. Pick yours now!

| | PAGE | MEETINGS | | | | EVENTS & DINING | | | | | |
|-------------------------|------|-----------|---------|--------|----------|-----------------|-------|---------|----------------------|----------|--------|
| | | BOARDROOM | U-SHAPE | SQUARE | TRAINING | CONFERENCE | ROUND | CABARET | TOP TABLE/ SPRIGS | COCKTAIL | DINING |
| TABLES | | | | | | | | | | | |
| SYSTEM-C | 48 | ✓ | ✓ | ✓ | ✓ | ✓ | | ✓ | | | |
| CONFIGURE-8 | 51 | ✓ | ✓ | ✓ | ✓ | ✓ | | ✓ | | | |
| FLIP-TOP | 52 | ✓ | ✓ | ✓ | ✓ | ✓ | | | | | |
| CONFIGURE-8 FLIP-TOP | 53 | ✓ | ✓ | ✓ | ✓ | ✓ | | ✓ | | | |
| MEET-U | 56 | ✓ | ✓ | ✓ | ✓ | ✓ | ✓ | | | | |
| TRANS-POSE | 58 | | | | | | | | | ✓ | |
| TABOU | 54 | | | | | | | | | ✓ | |
| SLIMFOLD | 60 | ✓ | ✓ | ✓ | ✓ | ✓ | ✓ | ✓ | ✓ | ✓ | ✓ |
| SLIMLITE | 59 | | | | | | ✓ | ✓ | ✓ | | |
| LITE FOLD | 62 | | | | | | ✓ | | ✓ | | |
| EXECUTIVE BOARDROOM | 63 | ✓ | | | | | | | | | |
| BUFFET CUBE | 66 | | | | | | | | | ✓ | |
| STEEL & STYLE | 68 | | | | | | | | | | |

Conference – Furniture needs to offer comfort and allow for conference venues to fit a high number of people comfortably in a given space. Burgess furniture allows for this and our conference tables are easily foldable or have a flip top for easy storage keeping our end users in mind.

Events & Dining – Dining furniture needs to offer comfort and elegance whilst also maximise occupancy. Burgess keeps all this in mind when designing new events and dining products.

Meeting – Meeting furniture offers comfort and style. Burgess meeting furniture offers you just that! With boardroom tables to make a statement or easily stored meeting tables.

SYSTEM-C

“A table system to fulfil the conference managers’ requirement for a superior folding table system.”

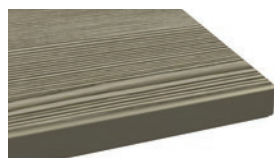
System-C is equally at home in contemporary and traditional syndicate meeting rooms. We have a CAD layout service available to assist clients with their product selection and specification.

Features

- Chrome plated legs
- Spring clips retain the legs when folded
- High-Pressure Laminate or Real Wood Laminate
- Corner posts with integral stacking buffers to minimise the possibility of stacking damage
- Integrated swivel clip enables tables to be linked
- For information on trolleys see page 64

Options

- Wood laminate with hardwood leading edge
- High-pressure laminate with black PVC T-Barb edge
- High-pressure laminate with bull-nose hardwood lip
- Variety of modesty panel options
- Epoxy powder coated frames available on application
- Folding modesty panel available on 60cm & 75cm wide tables only



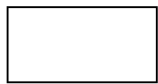
Wood laminate with hardwood leading edge



High pressure laminate with black vinyl T-Barb edge

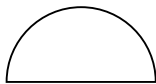


High pressure laminate with bull-nose hardwood lip



Rectangle

| Model | Size |
|-------|----------|
| SYS1 | 120x45cm |
| SYS13 | 130x45cm |
| SYS2 | 150x45cm |
| SYS3 | 180x45cm |
| SYS5 | 120x60cm |
| SYS14 | 130x60cm |
| SYS6 | 150x60cm |
| SYS7 | 180x60cm |
| SYS9 | 120x75cm |
| SYS15 | 130x75cm |
| SYS10 | 150x75cm |
| SYS11 | 180x75cm |



Half Round

| Model | Size |
|-------|-----------------------|
| SYS4 | 90x45cm Single leg |
| SYS8 | 120x60cm Single leg |
| SYS12 | 150x75cm Freestanding |



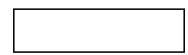
Triangular Corner

| Model | Size |
|--------|---------|
| SYSC45 | 45x45cm |
| SYSC60 | 60x60cm |
| SYSC75 | 75x75cm |



Quadrant Corner

| Model | Size |
|--------|---------|
| SYSQ45 | 45x45cm |
| SYSQ60 | 60x60cm |
| SYSQ75 | 75x75cm |



Detachable Modesty Panel

| Model | Size |
|----------|----------|
| SYS.F120 | 120x35cm |
| SYS.F130 | 130x35cm |
| SYS.F150 | 150x35cm |
| SYS.F180 | 180x35cm |

MODESTY PANELS

Detachable or folding modesty panels available on this range.







Image courtesy of Amsterdam Marriott

CONFIGURE-8

The Configure-8 table range offers a stunningly superior look. Designed using anodised aluminium this sleek, slim and lightweight table will look great in any meeting, conference or boardroom.

Each table is fitted with discreet linking clips, so you can join several tables together to create exactly the right layout you need. It also has adjustable feet to get just the right level in any room situation.

Features

- Corner post with integral stacking and linking
- Folding legs to allow for practical storage
- The tops are available in a range of top quality laminate finishes or wood laminates with an elliptical bull nosed edge and leg infill panels
- Each table is fitted with discreet clips, so you can link several tables together to create exactly the right layout you need
- Adjustable feet enable you to get just the right level in any room situation
- Anodised aluminium frame
- For information on trolleys see page 64

Options

- Aluminium or matching laminate modesty panels are available
- Powder coated



Rectangle

| Model | Size |
|-------|----------|
| C811 | 120x45cm |
| C812 | 130x45cm |
| C813 | 150x45cm |
| C814 | 180x45cm |
| C821 | 120x60cm |
| C822 | 130x60cm |
| C823 | 150x60cm |
| C824 | 180x60cm |
| C831 | 120x75cm |
| C832 | 130x75cm |
| C833 | 150x75cm |
| C834 | 180x75cm |



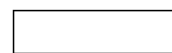
D-End

| Model | Size |
|-------|-----------------------|
| C815 | 90x67.5cm Single leg |
| C825 | 120x67.5cm Single leg |
| C835 | 150x75cm Freestanding |



Quadrant Corner

| Model | Size |
|-------|---------|
| C816 | 45x45cm |
| C826 | 60x60cm |
| C836 | 75x75cm |



Detachable Modesty Panel

| Model | Size |
|-------|-----------------------|
| C841 | 120 front - laminate |
| C842 | 130 front - laminate |
| C843 | 150 front - laminate |
| C844 | 180 front - laminate |
| C851 | 120 front - aluminium |
| C852 | 130 front - aluminium |
| C853 | 150 front - aluminium |
| C854 | 180 front - aluminium |

CONFIGURE-8 BENEFITS

The table trolley can fit up to 8 tables for a practical solution to storage. For more information see page 64.



FLIP-TOP

“The Flip-Top range offers the ultimate in tabling for a quality meeting & conference environment” With the choice of top shapes Flip-Top provides the versatility to create a variety of layouts. The underframes are polished stainless steel as standard, and the flip action of the top allows the tables to be nested to minimise storage requirements.

Features

- A choice of laminate tops including high pressure laminate and wood laminate, both with solid hardwood leading edges or veneered tops with inlay
- Castors fitted as standard
- 25mm hardwood leading edge as standard
- Quadrant corners can be used to create U-shape layouts

Options

- Adjustable glides (Table height reduces to 72cm)
- Permanent and detachable laminate modesty panels



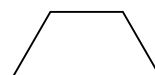
Rectangle

| Model | Size |
|--------|----------|
| FLT.1 | 150x60cm |
| FLT.2 | 180x60cm |
| FLT.5 | 150x75cm |
| FLT.6 | 180x75cm |
| FLT.10 | 120x60cm |
| FLT.11 | 120x75cm |



Half Round

| Model | Size |
|-------|----------|
| FLT.3 | 120x60cm |
| FLT.7 | 150x75cm |



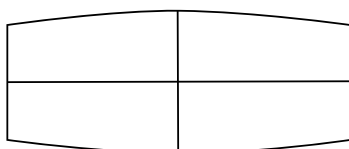
Trapezoidal

| Model | Size |
|-------|----------|
| FLT.4 | 120x60cm |
| FLT.8 | 150x75cm |



Quadrant Corner

| Model | Size |
|---------|---------|
| FLT.Q60 | 60x60cm |
| FLT.Q75 | 75x75cm |



4 Table Set-up

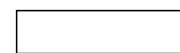
| Model | Size |
|--------|-----------|
| FLT.12 | 360x150cm |



Half Oval

| Model | Size |
|--------|----------|
| FLT.13 | 120x60cm |

Linking Plates: (Pair)



Detachable Modesty Panel

| Model | Size |
|---------|-------------------------|
| FLTF120 | 120x24.5cm (Permanent) |
| FLTF150 | 150x24.5cm (Permanent) |
| FLTF180 | 180x24.5cm (Permanent) |
| FLTD120 | 120x24.5cm (Detachable) |
| FLTD150 | 150x24.5cm (Detachable) |
| FLTD180 | 180x24.5cm (Detachable) |

Please note that the FLT12 and FLT13 can be used to create an oval boardroom table with the additional versatility of using them as stand-alone consoles.

HARDWOOD LEADING EDGE

25mm hardwood leading edge as standard.



CONFIGURE-8 FLIP-TOP

“The Configure-8 Flip-Top answers all the needs of the most demanding conference and meeting room venues”. The Configure-8 Flip-Top table offers a superior nesting table system for meetings and conferences. Tables can be stored in echelon with the top in the vertical position. The anodised aluminium leg frames are set out to the ends of the table to enable the user to sit within the table comfortably.

Features

- Flip-Top mechanism with a quick release latch
- High-Pressure Laminate or Real Wood Laminate
- Leg infill panels
- Castors fitted as standard, 2 braked
- Permanent modesty panel

Options

- Power module inset into the table includes table trucking, cable tray and front fascia panel
- Power modules have the facility for daisy chaining to reduce extension cables, up to 6 sockets max
- Power socket available to suit different countries' requirements
- Powder coat option



Rectangle

| Model | Size |
|--------|----------|
| C8FLT1 | 120x60cm |
| C8FLT2 | 150x60cm |
| C8FLT3 | 180x60cm |
| C8FLT6 | 120x75cm |
| C8FLT7 | 150x75cm |
| C8FLT8 | 180x75cm |



Half Round

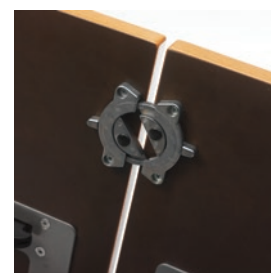
| Model | Size |
|--------|----------|
| C8FLT4 | 120x60cm |
| C8FLT9 | 150x75cm |



Quadrant Corner

| Model | Size |
|----------|---------|
| C8FLTQ60 | 60x60cm |
| C8FLTQ75 | 75x75cm |

ROTARY TABLE CONNECTOR



INTEGRATED TECHNOLOGY

A selection of integrated technology options are available. For more information on the EVOLINE range see page 70.



TABOU

“The Tabou range of cocktail, restaurant and occasional tables offers a modern and contemporary look to any formal or informal gathering”. The sleek modern bases, which include a gas lift, fixed and tilt-top versions, are complemented by a range of striking high pressure laminate tops from our collection.

Features

- Square or round tops
- Fixed, flip or height adjustable tables dependent on models
- Wide range with many options to choose from

Options

- Burgess laminate top finishes range available on request


COFFEE



TP9
Top Size: 60/70/75/80cm Dia.
Finish: Stainless Steel

47cm

Base Size: 40cm Dia.



TP10
Top Size: 60/70/75/80cm Sq.
Finish: Stainless Steel

47cm

Base Size: 40cm Sq.


DINING



TP2 ROUND
Top Size: 60/70/75/80cm Dia.
Finish: Stainless Steel

74cm


Base Size: 40cm Dia.



TP4 SQUARE
Top Size: 60/70/75/80cm Sq.
Finish: Stainless Steel

74cm

Base Size: 40cm Sq.



TP11 LARGE SQUARE
Top Size: 90/106cm Sq.
Finish: Stainless Steel

74cm

Base Size: 60cm Sq.



TP8 LARGE ROUND
Top Size: 90/106cm Dia.
Square to Round 76SQ.-106 Dia.
Finish: Stainless Steel

74cm


Base Size: 55cm Dia.



TP13 FLIP
Top Size: 60/70cm Dia.
Finish: Polished Aluminium

73cm

Base Size: 66cm Tripod



TP12 DOUBLE PEDESTAL RECTANGLE
Top Size: 120x75cm
Finish: Stainless Steel

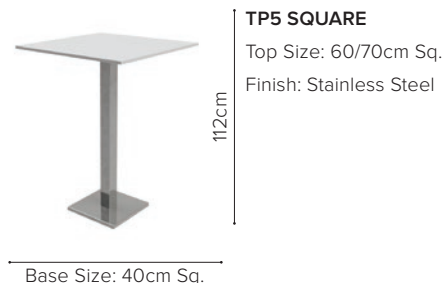
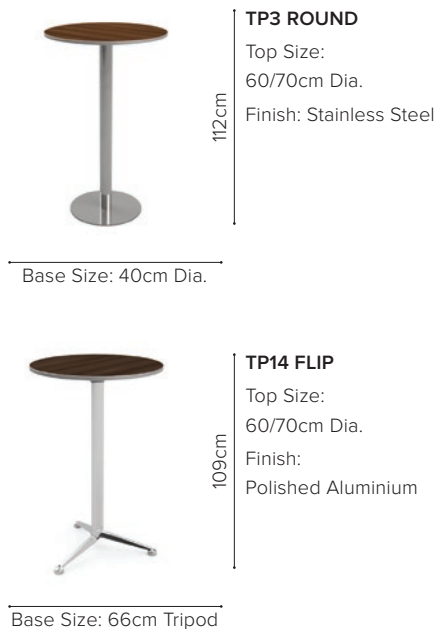
74cm

Base Size: 75x40cm

HEIGHT ADJUSTABLE



POSEUR



TABOU FINISHES

A selection of table top and frame finishes are available.



MEET-U[®]

“The Meet-U[®] meeting table system includes innovative features to allow for agile working and modern technology”. Designed with the user in mind, a variety of top shapes including rectangles, squares, triangles and quadrants link together to form the perfect layout for any meeting room environment.

Features

- An integral rotating bridge plate neatly concealed within the frame
- Bridge tops can be used on two adjacent sides of the table simultaneously
- The bridge top is cost effective and requires less storage space
- A multi-function clip can be used to secure and support a modesty panel, to link tables together and supports power cables as a ‘cable tidy’
- Adjustable feet adjustable up to 25mm

Options

- The modesty panels are available for the front and side of the table
- Castors (2 per table) can be fitted allowing for easy movement
- Anodised Legs
- Cable Port - 80mm diameter port can be fitted centred to long edge



Rectangle

| Model | Size |
|--------|----------|
| MTU 11 | 120x60cm |
| MTU 12 | 150x60cm |
| MTU 13 | 180x60cm |
| MTU 21 | 120x75cm |
| MTU 22 | 150x75cm |
| MTU 23 | 180x75cm |
| MTU 31 | 120x90cm |
| MTU 32 | 150x90cm |
| MTU 33 | 180x90cm |



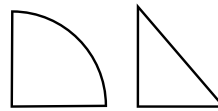
Bridge Tops

| Model | Size |
|--------|----------|
| MTU 15 | 120x60cm |
| MTU 16 | 150x60cm |
| MTU 25 | 120x75cm |
| MTU 26 | 150x75cm |
| MTU 35 | 120x90cm |
| MTU 36 | 150x90cm |



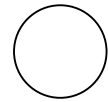
Square

| Model | Size |
|--------|-----------|
| MTU 24 | 75x75cm |
| MTU 34 | 90x90cm |
| MTU 44 | 120x120cm |
| MTU 54 | 150x150cm |



Corners

| Model | Size |
|-----------------|---------|
| MTU 17 Quadrant | 60x60cm |
| MTU 27 Quadrant | 75x75cm |
| MTU 37 Quadrant | 90x90cm |
| MTU 18 Triangle | 60x60cm |
| MTU 28 Triangle | 75x75cm |
| MTU 38 Triangle | 90x90cm |



Round

| Model | Size |
|--------|------------|
| MTU 61 | 120cm Dia. |
| MTU 62 | 150cm Dia. |

INTEGRATED TECHNOLOGY

A selection of integrated technology options are available. For more information on the AXIAL COMFORT range see page 71.





TRANS-POSE

“A modern flexible table and seating solution”. The Trans-Pose® table system comprises interchangeable frames, cradles, tops and seats to provide a versatile, flexible table and seating solution. High tables, standard height tables, coffee tables and bench seating can all be configured from the individual modules by means of a universal self-locking connector.

Features

- Once separated, frames, cradles & tops are stackable for compact storage
- Frame: mild steel tube
- Top: high-pressure laminate & hardwood edging
- Bench seat: comfortable foam padding

Options

- Choice of solid powder coated frame finishes
- Choice of fabrics from our contract range
- Purpose designed trolley



Length: 150cm

MDS.51

Width: 75cm
Weight 39.8 kg



Length: 180cm

MDS.52

Width: 75cm
Weight 42.8 kg



Length: 150cm

MDS.61

Width: 75cm
Weight 31.2 kg



Length: 180cm

MDS.62

Width: 75cm
Weight 34.2 kg



Length: 150cm

MDS.71

Width: 75cm
Weight 26.4 kg



Length: 180cm

MDS.72

Width: 75cm
Weight 29.4 kg



Length: 126cm

MDS.80

Width: 66cm
Weight 23.0 kg

TRANS-POSE TROLLEY



SLIMLITE™

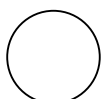
“SlimLite™ is the lightest aluminium table yet from Burgess”. The patented SlimLite™ range of lightweight folding tables are suitable for indoor and outdoor use and are our lightest table yet.

Features

- Patented spring-loaded folding leg system & push release mechanism
- Tubular aluminium rim
- Welded high tensile aluminium frame
- Aluminium is highly resistant to corrosion so ideal for outdoor use
- Flush-fit corner pieces are standard on all rectangular tables
- Nylon corners add strength, improve corner impact resistance and incorporate a stacking buffer for ease of storage
- For information on trolleys see page 65

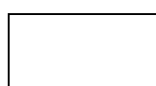
Options

- Available in a variety of different laminates, including wood finishes and flock



Round

| Model | Size | Weight |
|--------|------------|---------|
| BSL9D | 90cm Dia. | 9.5 kg |
| BSL12D | 120cm Dia. | 12.0 kg |
| BSL15D | 150cm Dia. | 14.5 kg |
| BSL16D | 160cm Dia. | 17.5 kg |
| BSL18D | 180cm Dia. | 19.5 kg |



Rectangle

| Model | Size | Weight |
|---------|----------|---------|
| BSL8075 | 80x75cm | 7.8 kg |
| BSL1245 | 120x45cm | 5.5 kg |
| BSL1260 | 120x60cm | 6.5 kg |
| BSL1275 | 120x75cm | 8.8 kg |
| BSL1545 | 150x45cm | 9.0 kg |
| BSL1560 | 150x60cm | 9.0 kg |
| BSL1575 | 150x75cm | 9.8 kg |
| BSL1845 | 180x45cm | 9.0 kg |
| BSL1860 | 180x60cm | 9.5 kg |
| BSL1875 | 180x75cm | 10.9 kg |
| BSL2045 | 200x45cm | 10.0 kg |
| BSL2245 | 220x45cm | 12.0 kg |
| BSL2475 | 240x75cm | 13.5 kg |



Half Round

| Model | Size | Weight |
|---------|----------|---------|
| BSL15Sc | 150x75cm | 8.0 kg |
| BSL18Sc | 180x90cm | 12.0 kg |



Double-D

| Model | Size | Weight |
|-------|-----------|---------|
| BSLDD | 200x150cm | 19.0 kg |

SLIMLITE™ TROLLEY

Trolley available on request.
For more information see page 65.



SLIMFOLD™

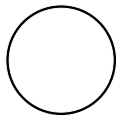
The latest generation of Slimfold™ banquet tables feature a strengthened and easy to handle locking mechanism. The robust leg frame is finished in a pewter hammer powder coat and our washable grey flock coated table top reduces noise and cloth slippage.

Features

- Table tops are aluminium edged for maximum protection
- Top also available in high-pressure laminates
- All Slimfold™ tables are based on the folding mechanism which has made the product world-renowned
- The tubular locking channel and locking tab are designed for improved strength
- For information on trolleys see page 65

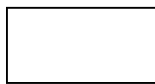
Options

- Three heights: 72cm, 74cm and 76cm.
- Mini buffet unit uses both a started Slimfold™ and mini clip on the table with wheel adapters
- Wheel Adapter
- Height Adapter
- Other sizes & T-bar leg configurations available on request



Round

| Model | Size |
|-------|------------|
| S1 | 91cm Dia. |
| S2 | 122cm Dia. |
| S3 | 152cm Dia. |
| S4 | 183cm Dia. |



Rectangle

| Model | Size |
|-------|----------|
| S13 | 122x76cm |
| S14 | 152x76cm |
| S15 | 183x76cm |
| S16 | 183x45cm |
| S18 | 210x76cm |
| S19 | 244x76cm |
| S100 | 122x45cm |



Square

| Model | Size |
|-------|---------|
| S17 | 76x76cm |



Half Round

| Model | Size |
|-------|-------------|
| S8 | 183x 91.5cm |
| S9 | 152x76cm |



Quadrant Corner

| Model | Size |
|-------|-----------|
| S10 | 152x152cm |
| S11 | 76x76cm |



72° Segment

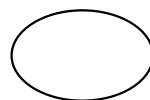
| Model | Size |
|-------|----------------------|
| S5 | 274cm OD 122cm ID |

5 required to make complete circle



Double-D

| Model | Size |
|-------|----------|
| S6 | 183x91cm |



Oval

| Model | Size |
|-------|-----------|
| S7 | 213x122cm |
| S20 | 183x152cm |



Round End

| Model | Size |
|-------|----------|
| S12 | 101x76cm |

T-BAR LEG

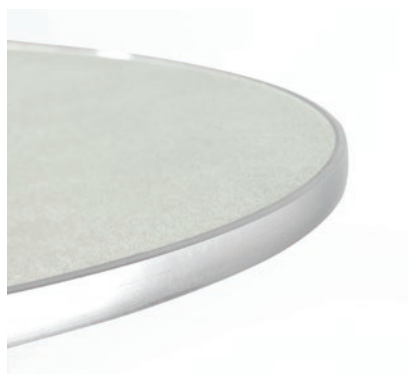




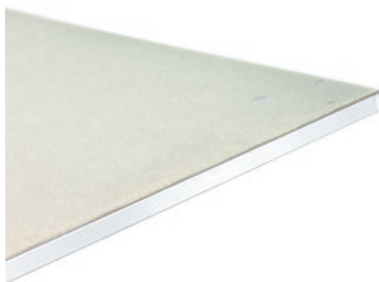
FOLDING COCKTAIL TABLE

| Model | Size |
|-------------------------|----------------------|
| CTL1 | 70 Dia. x 108.5cm H. |
| CTL2 | 91 Dia. x 108.5cm H. |
| Folded thickness: 6.5cm | |

ROUND NYLON FLOCK COATED WITH ROLLED ALUMINIUM EDGE



RECTANGULAR NYLON FLOCK COATED WITH RIVETED ALUMINIUM EDGE



HIGH PRESSURE LAMINATE WITH T-BARB EDGE



**HEIGHT ADAPTER
S22 FOR USE WITH STANDARD 76CM
WIDE RECTANGULAR TABLES**



**WHEEL ADAPTER
S21 FOR USE WITH STANDARD 76CM WIDE
RECTANGULAR TABLES**



**SLIMFOLD™ FOOT
3 AVAILABLE HEIGHTS: 72CM, 74CM, 76CM**

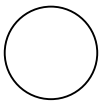


LITE FOLD

“The Light Fold table provides a lightweight solution for hospitality venues indoors and outdoors.” The table tops are constructed from a grey high-density polyethelene and the folding underframe is powder coated mild steel.

Features

- Lightweight construction
- Grey high-density polyethelene tops
- Powder coated mild steel frame
- Black plastic feet



Round

| Model | Size | Weight |
|-------|----------|---------|
| L3 | 152 Dia | 18 kg |
| L4 | 180 Dia. | 26.9 kg |



Rectangle

| Model | Size | Weight |
|-------|----------|---------|
| L15 | 182x75cm | 13.6 kg |
| L19 | 244x76cm | 18.5 kg |

EXECUTIVE BOARDROOM TABLES

ECHO

Choose from the wide Burgess range of laminates and edges finishes. Power modules can be added to the table on request.

RECTANGLE



Length: 200-540cm
Width: 100-150cm

BOAT



Length: 200-540cm
Width: 100-150cm

OVAL



Length: 200-540cm
Width: 100-150cm

GLIDE

Choose from the wide Burgess range of laminates and edges finishes. Power modules can be added to the table on request. Glass top also available on request.

RACETRACK



Length: 200-540cm
Width: 100-150cm

BOAT



Length: 200-540cm
Width: 100-150cm

OVAL



Length: 200-540cm
Width: 100-150cm

HYFORM

Choose from the wide Burgess range of laminates and edges finishes. Power modules can be added to the table on request.

RACETRACK



Length: 200-540cm
Width: 100-150cm

BOAT



Length: 200-540cm
Width: 100-150cm

OVAL



Length: 200-540cm
Width: 100-150cm

RECTANGLE



Length: 200-540cm
Width: 100-150cm

ROUND



100-240cm Dia.

ENSA

Choose from the wide Burgess range of laminates and edges finishes. Glass top option available on this product. The legs can be assembled to offer different settings (coffee table, boardroom meeting table...)

BOATSHAPE



Length: 200-540cm
Width: 100-150cm

D-END



Length: 200-540cm
Width: 100-150cm

RECTANGLE



Length: 200-540cm
Width: 100-150cm

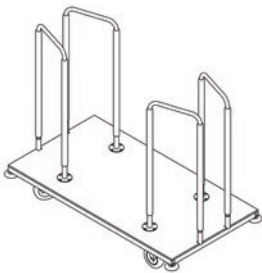
CREDENZA

Matching credenzas are available on request / contact us for more information.

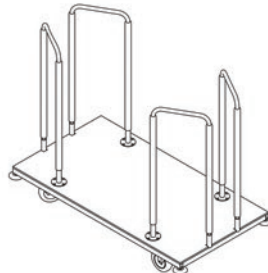


CONFIGURE-8 AND SYSTEM-C TROLLEYS

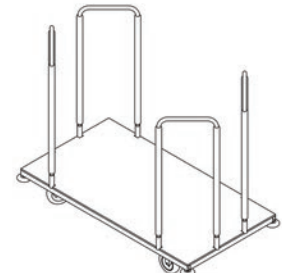
The table trolley can fit up to 8 tables for a practical solution to storage.



| Model | Length | Width |
|----------|--------|-------|
| TTFC1245 | 120cm | 45cm |
| TTFC1345 | 130cm | 45cm |
| TTFC1545 | 150cm | 45cm |
| TTFC1845 | 180cm | 45cm |



| Model | Length | Width |
|----------|--------|-------|
| TTFC1260 | 120cm | 60cm |
| TTFC1360 | 130cm | 60cm |
| TTFC1560 | 150cm | 60cm |
| TTFC1860 | 180cm | 60cm |



| Model | Length | Width |
|----------|--------|-------|
| TTFC1275 | 120cm | 75cm |
| TTFC1375 | 130cm | 75cm |
| TTFC1575 | 150cm | 75cm |
| TTFC1875 | 180cm | 75cm |

SLIMFOLD™ & SLIMLITE™ TROLLEYS

Slimfold™ and Slimlite™ table trolleys have been designed to keep our end users in mind and make the task of setting up a room or taking tables to storage as easy as possible

TTE4M SLIMLITE™ TROLLEY



Sub-divided into 3 sections for ease of loading either round or rectangle on their edges.

TTE/M SLIMFOLD™ TROLLEY (FOR ROUND OR RECTANGLE TABLES ON THEIR EDGE)



Sub divided into 3 sections for ease of loading either round or rectangle on their edges.

TT/F SLIMFOLD™ TABLE TROLLEY (FOR FLAT RECTANGLE TABLES)



Incorporate corner buffers for transporting rectangular tables stowed horizontally. Available in different size to fit your needs.

BUFFET CUBE

“Buffet Cube is a highly flexible buffet display stand system”. The Buffet Cube comprises folding underframes and the option of either a high pressure laminate or toughened glass top which are detachable. There are a variety of different frame heights that will allow you to create an interesting buffet landscape.

Features

- Quick and easy frame folding action

Options

- Clear toughened glass tops (75cm or 90cm square only)
- HPL Laminate tops with ABS Edging
- Chrome or solid painted frame
- Under frame heights, 60, 75, 90, 105 and 120cm

Under Frames

Available in chrome and painted finishes.

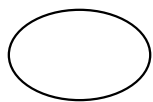


Top Options

Available in HPL or glass top finishes (75cm or 90cm only). Also available in rectangle, square, round and oval shapes. Height 75cm.



| Model | Size |
|--------|-------------|
| BCU600 | 60x60x60cm |
| BCU600 | 60x60x75cm |
| BCU600 | 60x60x90cm |
| BCU600 | 60x60x105cm |
| BCU600 | 60x60x120cm |



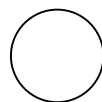
Oval

| Model | Size |
|---------|-----------|
| BCTH40* | 180x90cm |
| BCTH41* | 200x100cm |



Rectangle

| Model | Size |
|---------|----------|
| BCTH20 | 90x65cm |
| BCTH21 | 90x75cm |
| BCTH22* | 120x90cm |
| BCTH23 | 180x90cm |



Round

| Model | Size |
|--------|-----------|
| BCTH30 | 95x95cm |
| BCTH31 | 120x120cm |



Square

| Model | Size |
|--------|---------|
| BCTH10 | 75x75cm |
| BCTG10 | 75x75cm |
| BCTH11 | 75x75cm |
| BCTG11 | 90x90cm |



Square - Glass Top

| Model | Size |
|--------|---------|
| BCTG10 | 75x75cm |
| BCTG11 | 90x90cm |

All glass tops purchased at Burgess must be accompanied by a glass top trolley to ensure safe transportation.

*Buffet Cubes that require two under frames.

BUFFET CUBE FINISHES

A selection of table top finishes are available.



Our Buffet Cube trolley will help you transport your underframes and tops in a safe and easy way allowing you to get the best out of your events.

ELEVATION STANDS



Top finishes options:

Chromed steel, painted steel or clear toughened glass

Sizes available:

15cm x 15cm or 22.5cm x 22.5cm or 30cm x 30cm

ABS ALUMINIUM EDGE



ABS GLASS EDGE



TROLLEYS

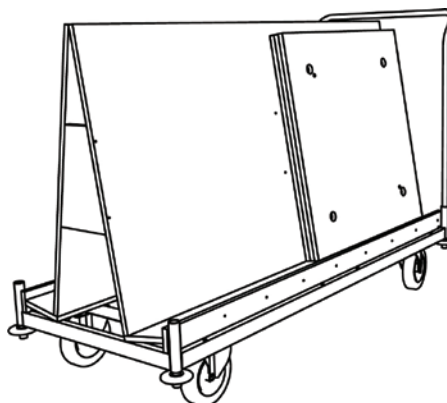


**TTBG9090
GLASS TABLE TOP
TROLLEY (LARGE)**

Trolley for 90x90cm
Glass Tops Max.
10 Tops

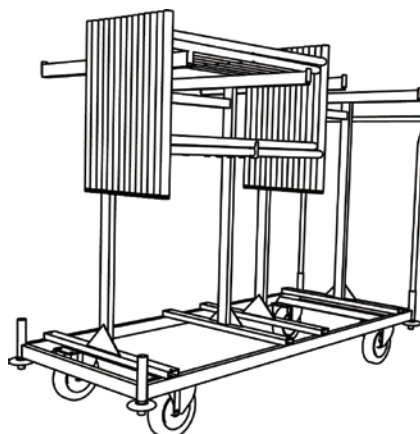
**TTBG7575
GLASS TABLE TOP
TROLLEY (SMALL)**

Trolley for 75x75cm
Glass Tops Max.
10 Tops - can take size:
75x75cm



**TTBL2000 HPL
TABLE TOP TROLLEY**

Trolley for HPL Tops
Qty 24 x 90cm or
Qty 12 x 180cm



**TTBU6001 –
UNDERFRAME TROLLEY**

Trolley for Underframes
Max. 24 Underframes
- any size and can mix
sizes

Please note:

All glass tops must be accompanied by a trolley to ensure safe transportation.

STEEL & STYLE

“Steel & Style buffet tables are the modern, stylish answer to any buffet area”. We offer a range of buffet tables to replace the need for skirting. The clean and timeless design made in glass and stainless steel will fit into any modern banquet areas.

Features

- The glass top is available in a choice of clear or opaque glass
- Each style of table has 3 sizes, which nest together to allow for a smaller storage footprint
- Grey plastic feet

Options

- Available in a range of shapes and sizes, including a triangular shape to create corners
- Brushed stainless steel or solid powder coated frame
- Braked wheels



Rectangle



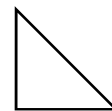
Size
 150 x 75 x 80cm
 140 x 70 x 75cm
 130 x 65 x 70cm



Square



Size
 75 x 75 x 80cm
 69 x 70 x 75cm
 63 x 65 x 70cm



Triangle



Size
 75 x 75 x 80cm
 70 x 70 x 75cm
 65 x 65 x 70cm

Elevation Stands

| Size | Height |
|-------------|--------------|
| 15x15cm | 5.5 or 11cm |
| 22.5x22.5cm | 11 or 22cm |
| 30x30cm | 16.5 or 33cm |



NESTING TABLES AND ELEVATION STANDS

Table range lets you nest them together for a clean storage.
 Elevation stands allows different options displays.





TECHNOLOGY & POWER MODULES

EVOLINE PUSH

This product is only for Configure-8 Flip Top Table, see page 53. Power supply in and power supply out comes as standard. The daisy chain allows a maximum of 6 sockets.

MULTIMEDIA (UK/FR/VDE)



PUSH.Q10055
Medium
1 x UK
2 x USB Charger
1 x HDMI
1 x MC Cat6 Data



PUSH.Q10056
Large
2 x UK
2 x USB Charger
1 x HDMI
1 x MC Cat6 Data



PUSH.Q10223
Medium
1 x VDE
2 x USB Charger
1 x HDMI
1 x MC Cat6 Data



PUSH.Q10226
Large
2 x France/Belgium
2 x USB Charger
1 x HDMI
1 x MC Cat6 Data

POWER / DATA



PUSH.Q10228
Large
3 x France/Belgium
3 x MC Cat6 Data



PUSH.Q15008
Medium
2 x UK
2 x MC Cat6 Data



PUSH.Q15009
Extra Large
3 x UK
2 x MC Cat6 Data



PUSH.Q15010
Medium
2 x VDE
2 x MCC at6 Data

POWER / USB CHARGE



PUSH.Q15013
Extra Large
3 x UK
3 x USB Charger



PUSH.Q15012
Medium
2 x UK
2 x USB Charger



PUSH.Q15017
Large
3 x France/Belgium
3 x USB Charger



PUSH.Q15014
Medium
2 x VDE
2 x USB Charger

COLOUR OPTIONS



Stainless Steel (.1)



Grey Coated (.5)



Black Coated (.6)



White Coated (.7)

Add the appropriately numbered finish suffix to the required item code to create the complete part number, eg **PUSH.Q15012.1** for Stainless Steel finish.

MEDIUM - 245mm x 157mm

LARGE - 295mm x 157mm

EXTRA LARGE - 345mm x 157mm

CONFIGURE-8 FLIP-TOP TABLE

This power module is only available on CONFIGURE 8 FLIP TOP TABLE, see page 53.



TUBESTATION



Tubestation was borne out of a simple desire to make the delivery of power and data more accessible, without having to rummage under the desk every time you needed to plug something in.

Tubestation is designed to work together with a number of accessories to create a highly functional platform to help define your workspace. Specifying Tubestation is so simple and it has hundreds of uses.

AXIAL COMFORT

Axial Comfort power module is a built-in unit that pivots upwards to reveal the power, voice and data sockets at a touch of a button thanks to its spring loaded mechanism. Daisy chaining allows a maximum of 6 sockets to reduce the number of power supplies required.



MEET-U TABLE

This power module is only available on MEET-U table, see page 56.



HIDDEN WIRELESS CHARGER

The Burgess hidden wireless charger offers an integrated wireless charging solution to create wireless charging hot spots for devices using Qi.

With the fast-growing demand for power and charging everywhere, the Burgess wireless surface charger is developed to create wireless charging hotspots for use around the globe in offices, hotels, restaurants, and bedrooms. Some examples of applications include coffee tables and bedside tables.

Our hidden wireless charger is available on the Smart Qube® range, please refer to page 36.



PORTHOLE IV MODULE

Available with a choice of black, white and grey plastic fascia with matching trim. The Porthole, ideal for space-saving installations. Features individual fuse and independently certified to BS 5733 UK sockets or a range of international sockets. Fully integrated 4A USB power supply. Power cables come with a standard 1m mains lead.

The Porthole IV module it is available on the Smart Qube® range, please refer to page 36.



INCA POWER/USB MODULE

Inca is available as a free-standing on table power module. Choice of Black, Grey or White body and matching socket fascias. Inca has 4 usable faces offering a wide range of configurations for power and USB charging. All UK sockets feature individual fuses to comply with BS 6396. All standard options are supplied with a 1m mains lead to 3 pole connector. The modules are made of flame retardant ABS plastic body and The Inca power module is tested to comply BS 5733.



ACCESSORIES



ROOM SERVICE TROLLEY

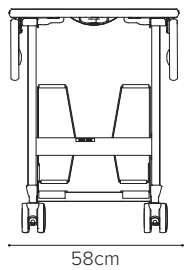
“Practical. Flexible. Functional...a Burgess must-have.” The Burgess Room Service Trolley offers hotel staff & guests ultimate flexibility with 3 different top options, ease of use and a modern sharp look. It is an F&B essential for the best dining in-room experience.

Features

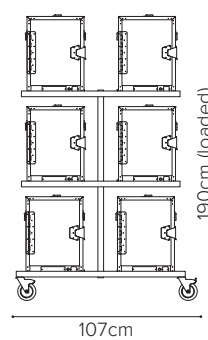
- Walnut or Wenge high pressure laminate
- Grey polyurea spray edge
- Anodised aluminium frame
- Tri-fold flaps & retractable flap stay
- Rotary latch flip top mechanism
- Storage in echelon
- Minimal moving parts for silent operation
- Corrosion resistant precision castors
- Pull handles
- Folding zinc plated grilles and recessed magnetic grille catches
- Accommodates 2 x food warmer boxes

Options

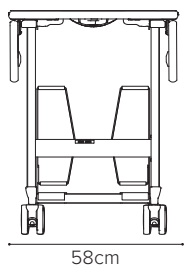
- Grey Wenge & Walnut finishes
- 3 top shapes



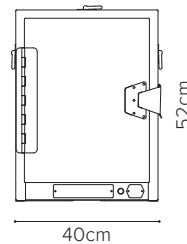
RST1
Round
Open width 100cm
Length 100cm



S.0305
Caddy
Depth 49cm
Holds 6 food warmer boxes



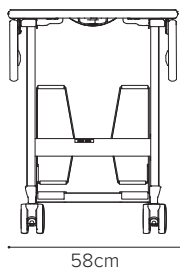
RST3
Double-D
Open width 100cm
Length 91.5cm



S.0300
Electric food warmer box
Depth 40cm

KEY FEATURES

- All aluminium construction
- Fully insulated to maintain temperature for at least 1 hour
- Removable shelves
- Thermostatically controlled
- Available with international power supply leads
- 220V or 240V



RST2
Square
Open width 91.5cm
Length 91.5cm



ROOM SERVICE TROLLEY

Tri-fold flaps can be positioned up or down for ease of transport.



CENTREFOLD PLATFORM

The centrefold platform is a portable staging system which includes many features for easy operation. The stage is lightweight but extremely strong and durable.

Features

- Two sizes: 244x122cm or 244x183cm
- Dual height: 40-60cm or 60-80cm
- Single height: 40cm or 60cm
- Please specify your height requirements when ordering

Options

- Fascia panels – 122cm or 183cm long and can be 40cm, 60cm or 80cm high
- Guardrails – fits 122cm and 183cm rim
- Steps – H: 40cm, 60cm or 80cm and W: 91cm for all / Tread depth: 25cm
- Handrails – H: 40cm, 60cm or 80cm. Ramps are also available on request
- Linking – available on request
- Skirting – available on request



CFP 2412

Unfolded: 244cm (L) x 122cm (W)
Folded: 122cm (L) x 59cm (W)

Dual height: 40-60cm or 60-80cm
Single height: 40cm or 60cm



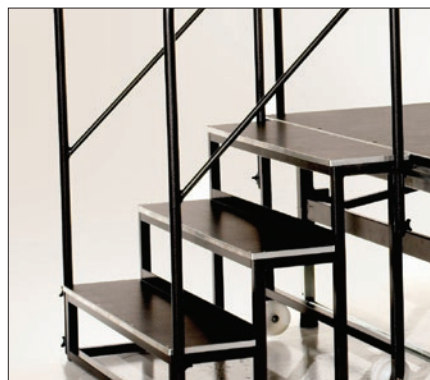
CFP 2418

Unfolded: 244cm (L) x 183cm (W)
Folded: 183cm (L) x 59cm (W)

Dual height: 40-60cm or 60-80cm
Single height: 40cm or 60cm



OPTIONS INCLUDE STEPS AND HANDRAILS IN VARIOUS HEIGHTS



DANCE FLOORS

We have a wide range of Dance Floors available from polished wood parquet sections to modern high gloss finishes, as well as an eye catching black and white check design.

Features

- Our dance floors are all supplied with an aluminium border trim
- Quick interlocking layout

Options

- Dance floors size available from 244cm
- Dance floor trolleys are also available –
112cm x 70cm x 127cm
140cm x 68cm x 130cm



PARQUET TILE



BLACK & WHITE

DANCE FLOOR TROLLEY



LECTERNS

Burgess has a range of lecterns available in real wood veneer, melamine laminate, powder coated mild steel and clear acrylic.



JUPITER
Width 76cm
Length 53cm
Height 117cm



NEPTUNE
Width 60cm
Length 40cm
Height 115cm

OPTIONAL EXTRAS

Wood & Melamine

- Cable Management
- Logo
- Glass Holder with Glass Lectern Light Pack
- LED Gooseneck Light
- Lectern Cover

Acrylic

- Logo
- Lectern Light Pack
- Lectern Cover
- Anti-Static Acrylic Cleaner

STANCTIONS & BARRIERS

For specific requirements or for more information, please contact us on +44(0) 208 894 9231 / sales@burgessfurniture.com



SIGN HOLDERS
MODEL NUMBER: GR13/L AND GR13/P
Use indoor
A4 Landscape Standard Sign Holder
The holders do fit on top of the executive (GP200).



EXECUTIVE GP200, GP400 AND GP500

Indoor Classic 4 way loop
Indoor Classic 4-way loop top, Flat
Base Post 875mm HT x 345mm



BRAIDED ROPES AND BRAIDED ROPES WITH SNAP FIXING
Length available options: 100m, 150m, 200m



WALL EYELET

SCREENS

Designed to discretely partition your function space, allowing different areas to be both visually and acoustically segregated. Our extensive range of fabrics and finishes allow our screens to fully complement your décor while the practical design ensures that when they are not in use and they can be easily moved and stored, taking up a minimal amount of space.

Features

- Screens Frame Finish: Solid Only
- Castors enable easy manoeuvring of screens
- Folding screens gives quick storing and flexibility of position
- Cast corner detail: brass, gold, or self colour

Options

- Range of different fabrics available
- Solid frame finishes from our range



BI-FOLD SCREEN

Dimensions:
Height: 191cm
Width Folded: 121cm
Width Open: 241cm



TRI-FOLD SCREEN

Dimensions:
Height: 191cm
Width Folded: 121cm
Width Open: 361cm

CHAIR & TABLE COVERS

CHAIR COVERS

Our Burgess chair covers are made to order and will give your event the final touch it needs.

We have a range of chair cover designs to choose from (plain front with tie at the back, plain front with two pleats at the back, plain front with two pleats at the back, plain front with butterfly bow and two pleats at the back) and a full range of colours to match your table linen and décor.



TABLE SKIRTING

Our table and stage skirting is available in 3 heading styles (box, double accordion or shirred) and is manufactured to your specific size and requirements. The skirting is simply attached with a Velcro system.

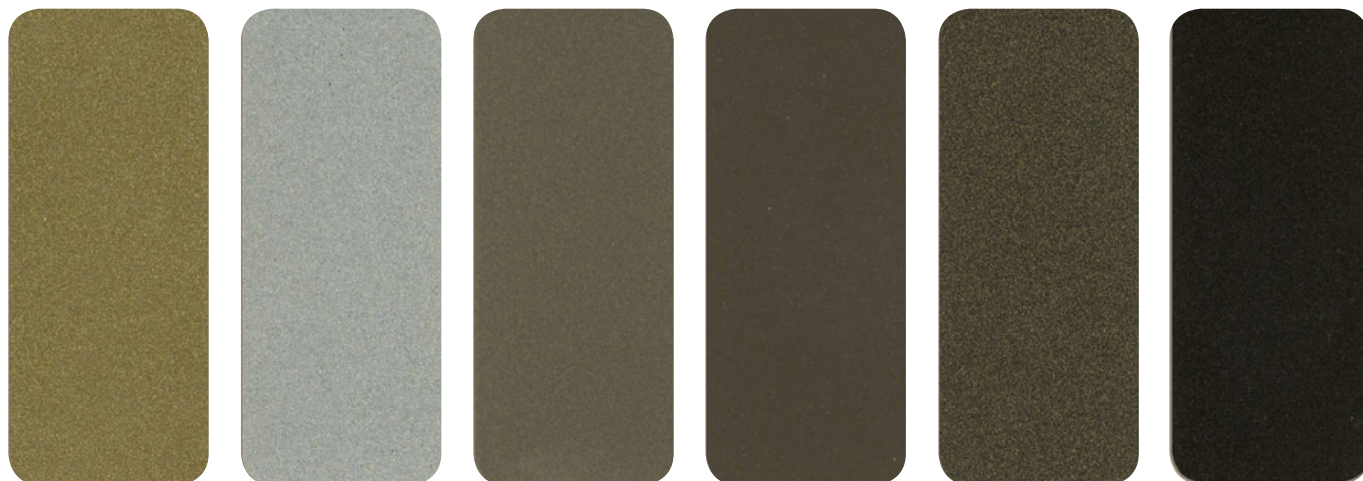




FINISHES & LAMINATES

CHAIR FRAME FINISHES

SOLID COLOUR FINISHES Available on all Aluminium and Steel Frames



DURAGOLD

SILVER SPARKLE

QUARTZ DURACOAT

BRONZE DURACOAT

IMPALA

ESPRESSO



GUN METAL GREY

BLACK

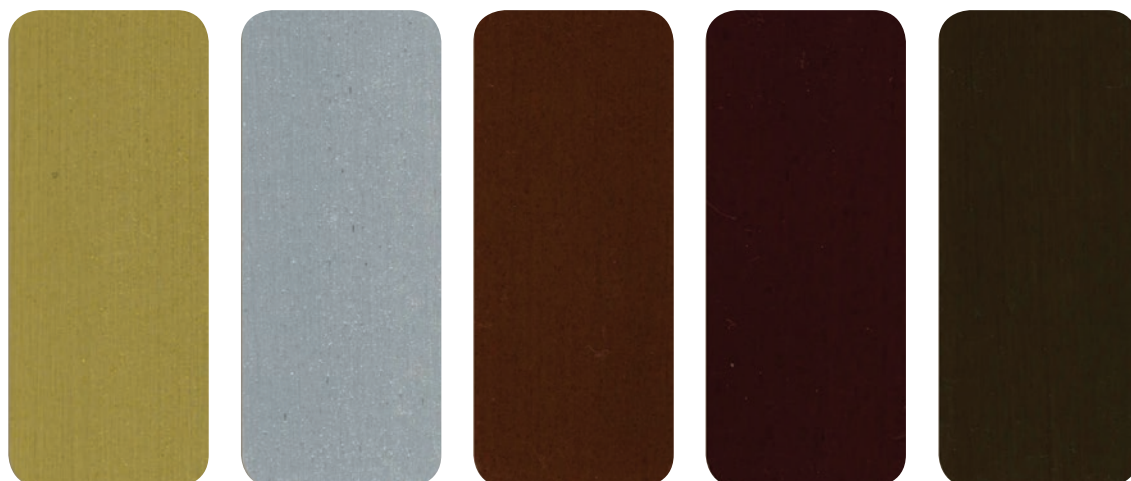
WHITE

ANTIQUE SILVER

PEWTER

BLACK TEXTURE

BRUSHED ALUMINIUM FINISHES Available on Aluminium Frames Only



CLASSIC GOLD

NATURAL

CHESTNUT

MAHOGANY

WALNUT

Actual laminates and finishes swatches may vary in colour to printed or digital representations. Please contact Burgess for swatch cards.

SLIMLITE FINISHES



BEECH



BLACK



CHERRY



FLOCKED**



MAPLE



OAK THERMOPAL*



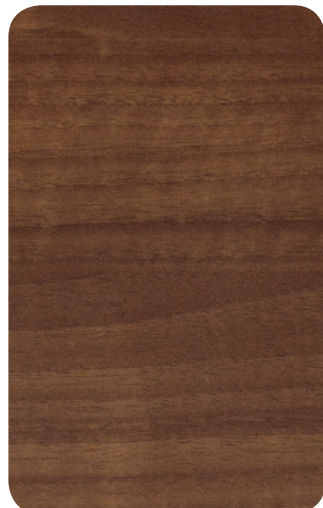
OAK



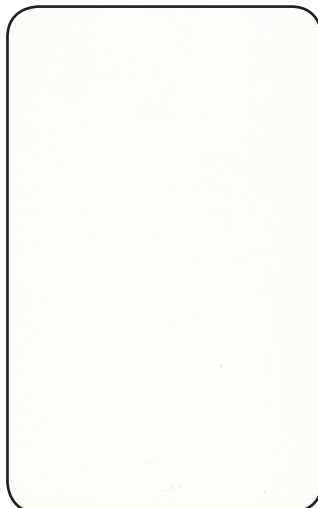
SGREY THERMOPAL*



SPECKLED GREY



WALNUT



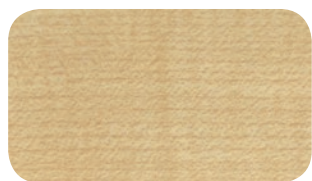
WHITE

* for tables of 180Dia.
** Flock grips the table cloth and reduces noise.

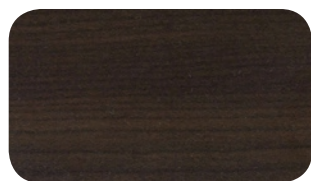
Actual laminates and finishes swatches may vary in colour to printed or digital representations. Please contact Burgess for swatch cards.

LAMINATES

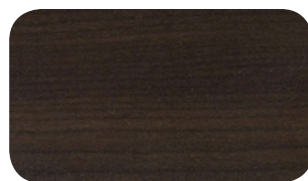
CLASSIC COLLECTION



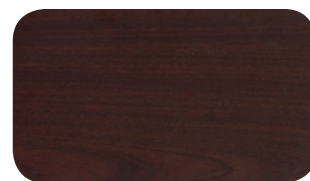
ACACIA



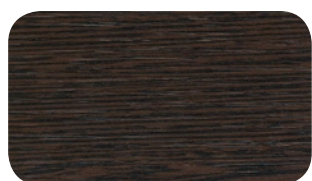
AFTER EIGHT MAPLE



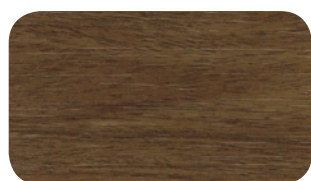
BLOOMED CHERRY PLANKED



CALIFORNIA WALNUT



DARK MOUNTAIN OAK



MADISON WALNUT



MILANO OAK

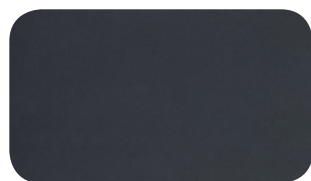


SCANDIC BEECH DARK

DESIGN COLLECTION



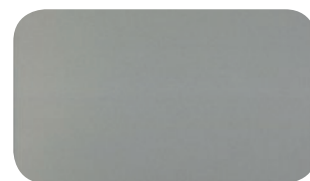
ANDERSON PINE



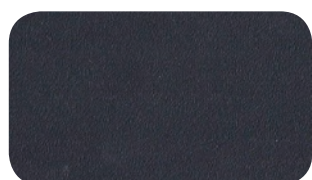
ANTHRACITE METALLIC



BODEGA GREY



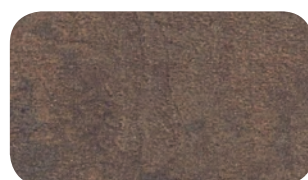
BRUSHED ALUMINIUM



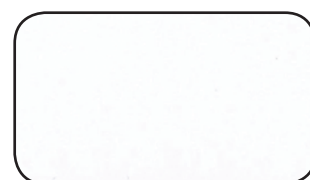
GRAPHITE BLACK



LIGHT GREY



PHOENIX BROWN

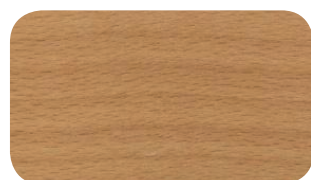


ROYAL WHITE

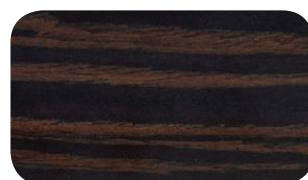
WOOD LAMINATE



AMERICAN CHERRY



BEECH



BROWN MACASSAR



CROWN MAHOGANY



WALNUT



WHITE ASH



WHITE OAK

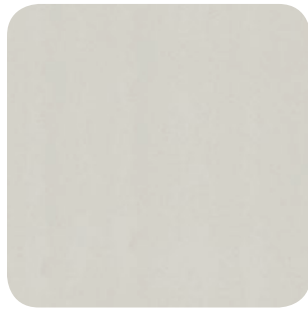
Actual laminates and finishes swatches may vary in colour to printed or digital representations. Please contact Burgess for swatch cards.

MEET-U[®] RANGE FINISHES & LAMINATES

FINISHES



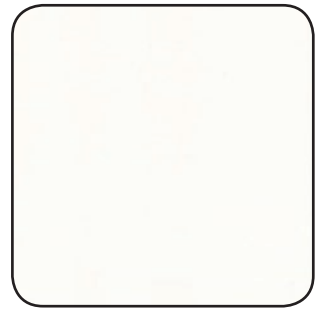
GRAPHITE



LIGHT GREY

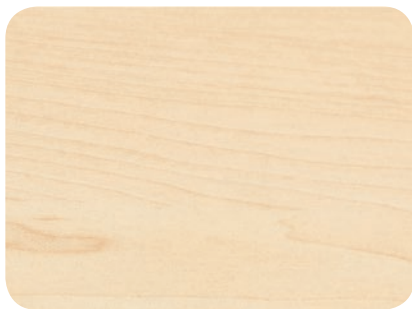


SATIN ANODISED



WHITE

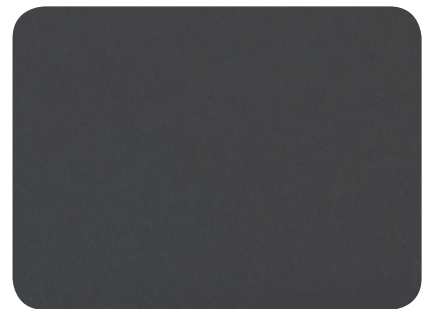
LAMINATES



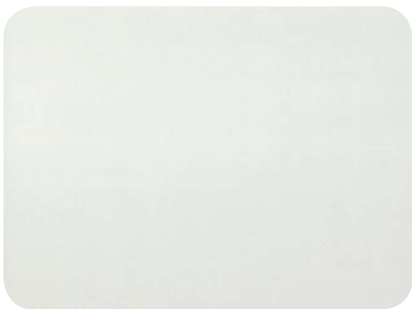
CANADIAN MAPLE



CORDOBA OLIVE



GRAPHITE



LIGHT GREY



ROMANA CHERRY



WHITE

These laminates are only available on the MEET-U range, see page 56.

Actual laminates and finishes swatches may vary in colour to printed or digital representations. Please contact Burgess for swatch cards.



GLOSSARY

ABS edge: A thermoplastic table edge available in a vast selection of matching and contrasting colours & designs most suitable for static tables which are not moved around often.

Allday: We are proud to have achieved the FIRA Ergonomic Excellence Award in 2001 with the Siena–Allday Range. The range passed the extensive ergonomic, structural & safety requirements and was the first time a banquet / conference chair gained this award. The findings of this research has enabled Burgess to apply the same ergonomics to all our ranges that carry the “Allday” mark.

Aluminium edging: These edges are fitted to our Slimfold table range, riveted in place to our square and rectangular tables, or crimped in place on our round / contoured tables. In both cases they provide a robust edge which will withstand the rigours of the busy banquet environments and protect the table top against damage.

Aluminium Extrusion: All the extrusions used on Burgess products are unique to us, commissioned and produced directly from the mill to our own specification.

Anodised: Anodising is an electrochemical process that converts the metal surface into a decorative, durable, corrosion-resistant, anodic oxide finish. Aluminium is ideally suited to anodising.

Back décor: As featured on the Simbia range this is a CNC lasercut back splat which creates an interesting decorative feature. For large projects we can design bespoke back décors to incorporate a customer logo.

Bridge top: A table top supplied without legs which connects/spans with adjacent tables to provide an additional surface. Generally bridge tops can reduce the number of table legs and save storage space.

Brushed aluminium finish: Available on aluminium frames (some exclusions apply).

Bull nose edge: Rounded edge applied to the hardwood lip on an HPL table top.

Cantilever: A chair whose framework are not supported by the typical arrangement of 4 legs, but instead is held erect and aloft by a single leg or legs that are attached to one end of a chair’s seat and bent in an L shape.

Casting: Casting of metal alloys enable complex details to be created to our own design and depending on the specific material the castings can be powder coated or plated.

Chrome plating: The chrome plating process is a method of applying a thin layer of chromium onto a substrate (metal or alloy) through an electroplating procedure. Enhances properties for durability and ease of cleaning.

CMHR: Combustion modified high resilience foam is used when the strict fire code standards are required, such as in hotels lobbies, hospitals, schools, mass transit (airplanes, buses). The foam is self skinning and has a high density which helps it last a long time.

Cut foam: All of our cut foams are manufactured to the highest possible standards, conform to ISO 9001 specifications and adhere to strict UK safety regulations.

Dimensions: All dimensions are in cm unless otherwise stated.

Dished back: Chairs with a dished back offer improved levels of comfort, allowing the contours of the back to increase levels of back support.

Echelon: A method of storing Flip-Top tables and Room Service Trolleys by nesting in staggered rows.

Ergonomics: This is the process of designing or arranging workplaces, products and systems so that they fit the people who use them.

FIRA: FIRA International provides a wide range of independent expert services that are not only dedicated to the global furniture supply chain, but also to furniture consumers, and continues safeguarding the industry.

Fire Retardancy: Flame retardants are compounds, which when added to materials during or after manufacture, inhibit or suppress the combustion process or flame spread. Their primary function is to suppress the spread of fires or delay the time of flashover so that people can escape.

Fliptop: A table with a fixed underframe and a flip top, normally on castors so the table can be wheeled around. Flip-Top tables can be stored in echelon.

Flock coating: Flock coating is the application of nylon fibers to the surface of our renowned banquet tables. Applied by an automated electrostatic process, this provides an attractive seamless fabric-like coating which supports table cloths and dressings, holding them in place, whilst reducing noise levels during the dining experience.

Frame finish: Powder coating, oven cured at temperatures from 180° – 230°C.

Frame stacking: Chairs have features built into the design to stack frame on frame, protecting the upholstery from getting crushed.

Hardwood edging: All our hardwood edges are constructed lip-first of 1st grade beechwood, stained and polished as required. The lipping is captured between the faces of the laminates and bonded to the edge of the board ensuring a very durable edge which cannot get detached in normal use.

Hardwood leading edge: A unique profile applied to the hardwood lip creating a decorative edge.

High tensile steel: Steel tube used where increased strength to weight ratio is required, used on all our cantilever chairs, to ensure chairs meet the static downwards load test.

HPL: Decorative high-pressure laminate with robust resin surface. Areas of application: Surface material for high-quality table tops.

Industrial Finish: A clear semi-matt powder coated finish applied to steel frames. The nature of this finish is that it reveals the natural elements of the raw frame including weld seams, the individuality of the welding & polishing that goes into the manufacture of the frame. An intrinsic feature of this finish is that there is a variation from one chair to the next.

Knitted mesh: Three dimensional precision knitted mesh covers are designed to fit the exact curves and contours of the chair frame. Key benefits are that the mesh adds ergonomic postural support and enables airflow keeping the user cool.

Lumbar: Lumbar support provides lower back support and improves posture.

Moulded foam: Parts manufactured using integral skin foam systems are by design tough, durable and resilient. All moulded foams used in Burgess chairs are specifically designed for comfort, longevity & durability.

Polyurea spray edge: A highly durable polyurea textured edge sprayed directly to the MDF table edge. Water resistant and very tough.

Probax® Advanced Seating Technology: Probax® is a system of foam inserts incorporated directly within the seatbase. This leads to a dramatically improved seated posture resulting in greater comfort levels, reducing back and neck pain, increasing alertness and concentration levels and for banqueting the improved posture aids digestion.

Realwood Laminate: These laminates are produced using crown cut furniture grade quality veneers, book matched and encapsulated in resin impregnated papers, producing a durable and attractive wood veneer laminate.

Seat stacking / nesting: Each chair stacks directly on the seat of the chair below, not recommended with velvet and soft pile fabrics as it can crush the pile.

Solid finish: Available on all aluminium and steel frames.

Standards:

- **BS EN 16139:2013** Furniture – Strength, durability and safety – Requirements for non-domestic seating
- **BS 7176:2007+A1:2011** Specification for resistance to ignition of upholstered furniture for non-domestic seating by testing composites
- **BS EN 15372:2016** Furniture – Strength, durability and safety – Requirements for non-domestic tables.
- **BS 6396:2008+A1:2015** Electrical systems in office furniture and educational furniture - Specification.

T-Bar leg: T-bar table legs have the benefit of increasing leg room enabling users to sit more comfortably along the length of a table.

T-Barb edge: Extruded PVC edging provides a neat finish and protects the edges of table tops, particularly suitable on folding round tables that may be rolled into position before being erected.

UV resistant: A property of materials that allows them to withstand extensive exposure to UV light without being damaged or degraded.

Vinyl/Faux leather: An artificial or synthetic leather.

Waterfall seat: The waterfall seat features a rounded front edge to the seat cushion, this relieves pressure on the back of the thighs and offers greater support and comfort.

Webbed seat: All our chairs that feature webbed seats are constructed with durable elasticated webbing which increases the comfort by providing additional suspension in the seat cushion.

Welded corner: The welded corner detail on our Salon, Siena & Como ranges is only available in solid powder coat finishes due to the intensive welding required in the manufacture of this feature.

GET IN TOUCH

For any query on any of our Burgess products, please get in touch with our experts they will be happy to help you progress with your project.

Telephone: +44 (0)20 8894 9231

Email: sales@burgessfurniture.com

www.burgessfurniture.com

 Follow us on Instagram @**Burgessfurniture**

BOOK A VISIT

Experiencing and seeing the product live is highly recommended, so if you are close to any of our showrooms please contact us (via details below) to book a visit with our experts and experience our Burgess products first hand.

SOUTH WEST LONDON SHOWROOM

Hanworth Trading Estate

Feltham, Middlesex TW13 6EH

Telephone: +44 (0) 208 894 9231

Email: London@burgessfurniture.com

DUBAI SHOWROOM

P.O. Box 500466, Design House Al Sufouh 1,

Dubai, UAE

Telephone: +971 (0)50 280 8916

Email: Dubai@burgessfurniture.com

FRANKFURT/RODERMARK SHOWROOM

HS Bankett Burgess GmbH

Messenhäuserstr. 57

63322 Rödermark, Germany

Telephone: 0049-6074-50613

Email: Frankfurt@burgessfurniture.com

Visit our new website www.burgessfurniture.com

*Burgess Furniture is a limited company registered in England and Wales. Registered number: 2222052 | VAT No: 222249100
Registered office: Hanworth Trading Estate, Feltham, Middlesex, TW13 6EH.*

